

NAD SERVICE MANUAL

MONITOR SERIES

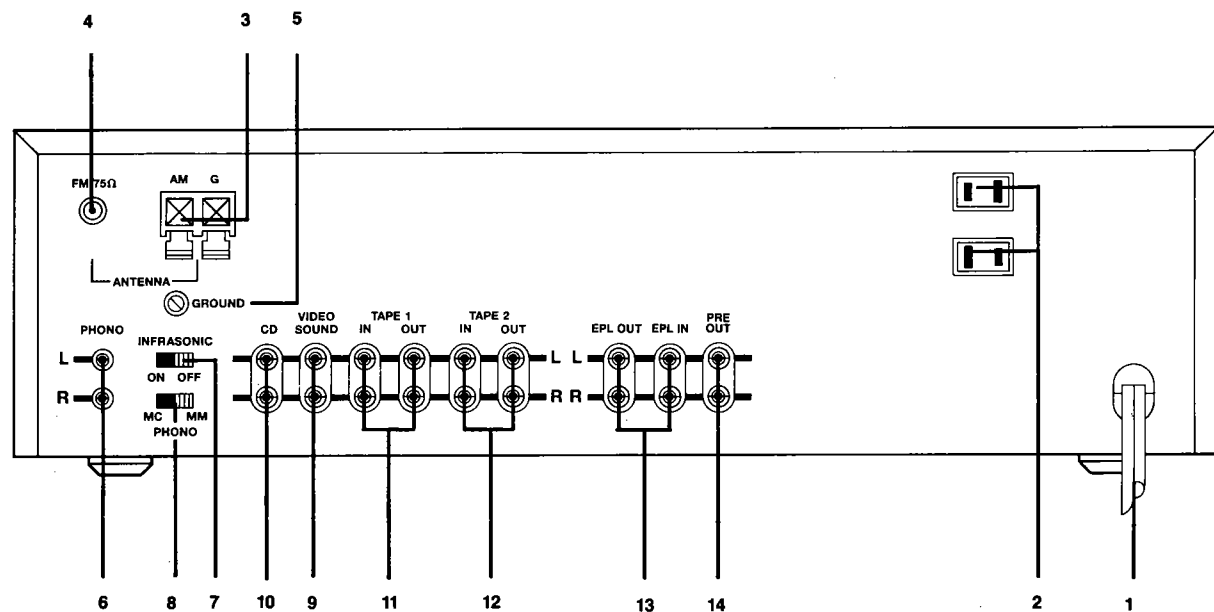
1600

PREAMPLIFIER/TUNER

PAGE	NAD-1600 CONTENTS
3	REAR / FRONT VIEW
4	SPECIFICATIONS
5	REMOTE CONTROL TRANSMITTER
6	PREAMPLIFIER ADJUSTMENT POINTS AND ADJUSTMENT METHOD
7	SUGGESTED HOOKUP FOR FM ALIGNMENT
8-10	FM ALIGNMENT METHOD
10	AM ALIGNMENT METHOD
11	TUNER AND REMOTE PCB WIRING DIAGRAM
12	TUNER ADJUSTMENT POINTS
13-14	PREAMPLIFIER PCB LAYOUT
15-16	PREAMPLIFIER SCHEMATIC
17-18	TUNER PCB LAYOUT
19-20	TUNER SCHEMATIC
21-22	TONE-AMP PCB LAYOUT
23-24	TONE-AMP SCHEMATIC
25-26	REMOTE / DISPLAY PCBLAYOUT
27-28	REMOTE / DISPLAY SCHEMATIC
29	PREAMPLIFIER WIRING DIAGRAM
30	TONE-AMP WIRING DIAGRAM
31-35	ELECTRICAL PARTS LIST
36	EXPLODED VIEW
37	EXPLODED PARTS LIST
38	PACKING DIAGRAM

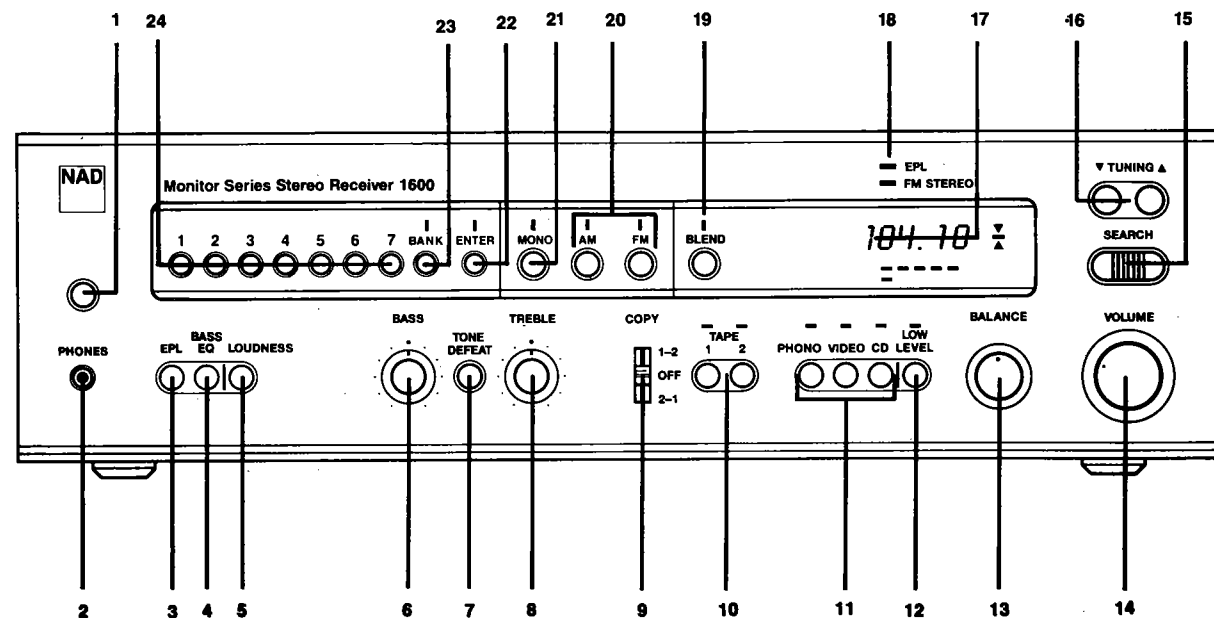
REAR PANEL CONNECTIONS

- | | | |
|----------------------|-------------------------|-------------------------|
| 1. AC LINE CORD | 2. AC OUTLETS | 3. AM ANTENNA TERMINALS |
| 4. FM ANTENNA INPUT | 5. PHONO GROUND | 6. PHONO INPUT |
| 7. INFRASONIC FILTER | 8. MM/MC SELECTOR | 9. VIDEO SOUND INPUT |
| 10. CD INPUT | 11. TAPE 1 INPUT/OUTPUT | 12. TAPE 2 INPUT/OUTPUT |
| 13. EPL INPUT/OUTPUT | 14. PRE OUT | |



FRONT PANEL CONTROLS

- | | | | |
|----------------------|-----------------------|--------------------|---------------|
| 1. POWER | 2. PHONES | 3. EPL | 4. BASS EQ |
| 5. LOUDNESS | 6. BASS | 7. TONE DEFEAT | 8. TREBLE |
| 9. COPY | 10. TAPE 1, TAPE 2 | 11. INPUT SELECTOR | 12. LOW LEVEL |
| 13. BALANCE | 14. VOLUME | 15. SEARCH MODE | 16. TUNING |
| 17. DISPLAY | 18. STATUS INDICATORS | 19. FM BLEND | 20. FM/AM |
| 21. MONO | 22. MEMORY ENTER | 23. BANK SELECTOR | |
| 24. STATION PRE-SETS | | | |



NAD 1600 PREAMPLIFIER/TUNER SPECIFICATIONS

MEASURED IN ACCORDANCE WITH EIA STANDARD RS-490 (IHF A-202) FOR AMPLIFIERS AND ANSI-IEEE STANDARD 185 (1975) i.e. IHF T-200 FOR TUNERS.

PREAMPLIFIER SECTION

Phono Input	
Input impedance (R and C)	MM & MC: 47 kohm + 100 pF
Input sensitivity ref. 0.5 V 1kHz	MM: 1.3 mV MC: 0.1 mV
Input overload at 20 Hz/1 kHz/ 20 kHz	MM: 20 mV/180 mV/1.5 V MC: 1.3 mV/13 mV/100 mV
Signal/Noise ratio (A-weighted with cartridge connected)	MM: 75 dB ref. 5 mV MC: 75 dB ref. 0.5 mV
THD (20 Hz - 20 KHz) and IMD at +30 dB level	<0.04%
RIAA response accuracy	±0.5 dB

Line Level Inputs (CD, Video, Tape)

Input impedance (R and C)	50 kohm + 500 pF
Input sensitivity ref. 0.5 V	80 mV
Maximum input signal	10 V
Signal/Noise ratio, A-weighted	100 dB ref. 0.5 V
Frequency response (20 Hz-20kHz in tone defeat mode)	±0.2 dB

Line Level Outputs

Output impedance	Pre-amp 600 ohms Tape 100 ohms (buffered) EPL 2000 ohms Phones 120 ohms
Maximum output level	Pre-amp > 10 V Tape > 10 V Phones > 8 V into 600 ohms > 250 mV into 8 ohms
Tape output infrasonic filter	-3 dB at 12 Hz, 12 dB/octave

Controls

Treble	±9 dB at 10 kHz
Bass	±10 dB at 50 Hz
Bass EQ	+3 dB at 55 Hz +6 dB at 36 Hz
Infrasonic filter (switchable)	-3dB at 12 Hz 12 dB/octave
Low level (audio muting)	-20 dB

FM TUNER SECTION

Input sensitivity	Mono, -30 dB THD+N Mono, 50 dB S/N Stereo, 50 dB S/N Stereo, 60 dB S/N	dBf	uV into 75 ohm
		11	1.0
		14	1.4
		36	17
		46	55
Capture ratio (45 to 85 dBf)		<1.6 dBf	
AM rejection (45 to 85 dBf)		> 60 dB	
Selectivity	Alternate channel Adjacent channel		68 dB 6 dB
Image rejection			>80 dB
R.F. intermodulation			>60 dB
SCA rejection			70 dB
Subcarrier suppression			60 dB (19 and 38 kHz)
De-emphasis			75 μs
THD at 100% modulation	Mono, 1 kHz 100 Hz-6 kHz Stereo, 1 kHz 100 Hz-6 kHz		<0.1% <0.2% <0.1% <0.3%
Signal/Noise ratio	Mono Stereo		82 dB 76 dB
Frequency response, 30 Hz-15 kHz			±0.5 dB
Stereo separation	1 kHz 30 Hz-10 kHz		50 dB 35 dB

AM SECTION

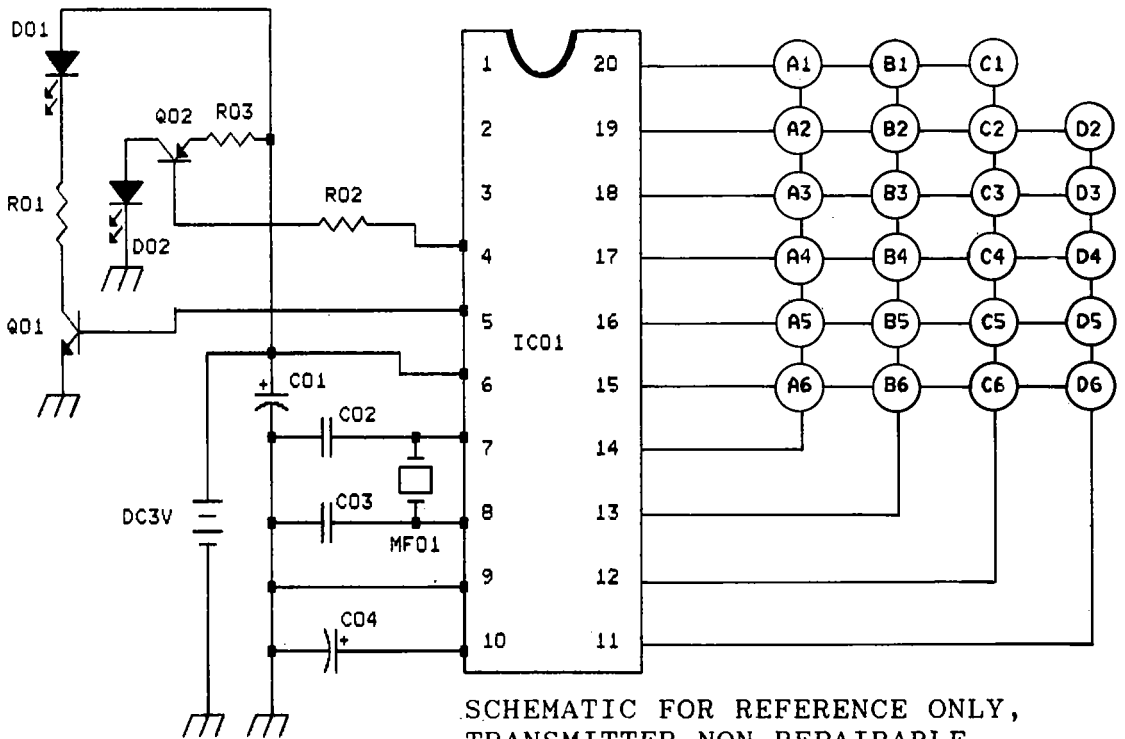
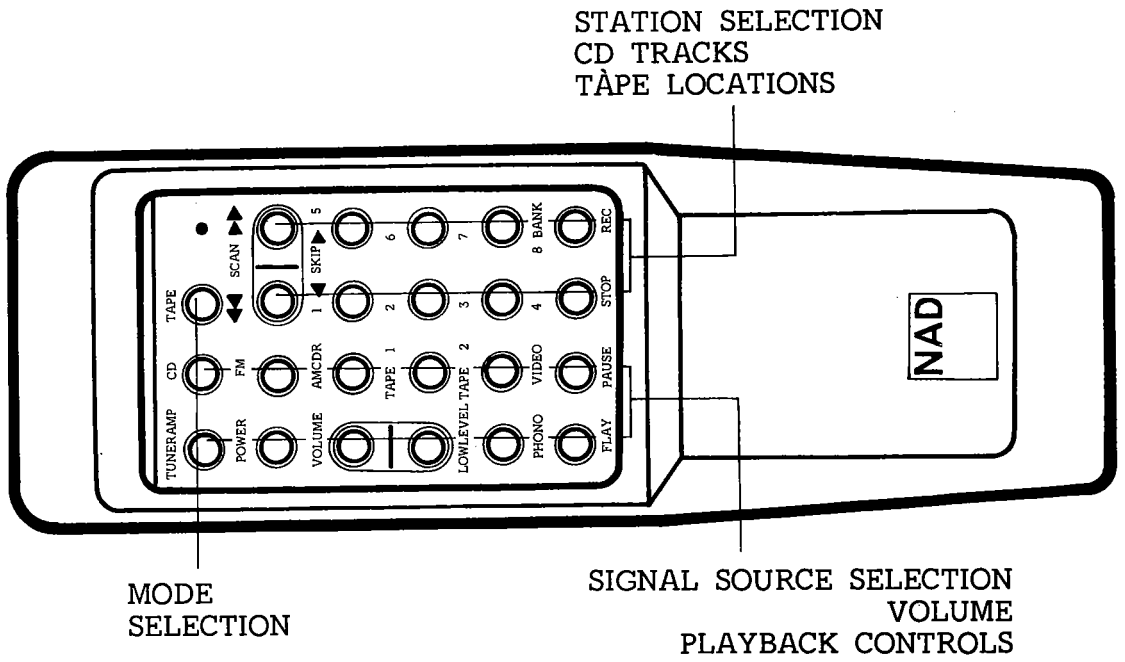
Usable sensitivity	5 μV
Selectivity	35 dB
Image rejection	50 dB
I.F. rejection	35 dB
Signal/Noise ratio (30% modulation, 50 mV input)	45 dB
THD	0.5%

Dimensions (Width x Height x Depth)

	43.5 x 11 x 38.9 cm (17.1 x 4.35 x 15.3 in.)
Net Weight	6.25 Kg (13 lb 12 oz.)
Shipping Weight	7.8 Kg (17 lb 3 oz.)
Power Consumption	30 W

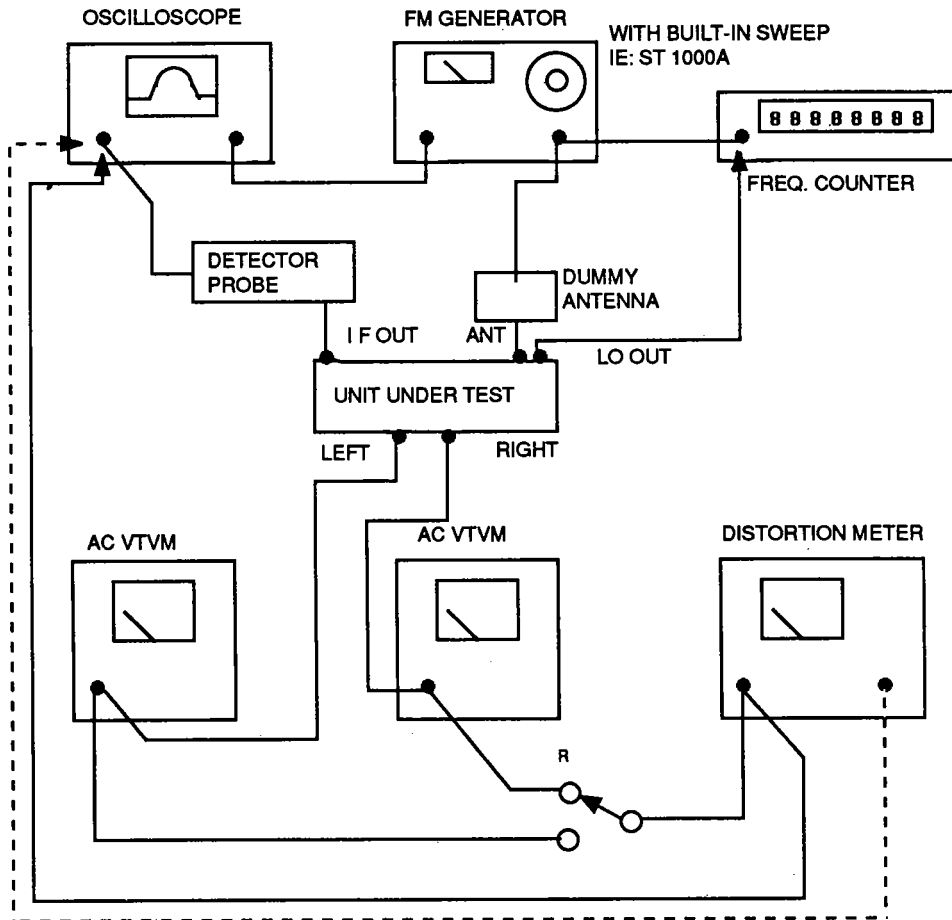
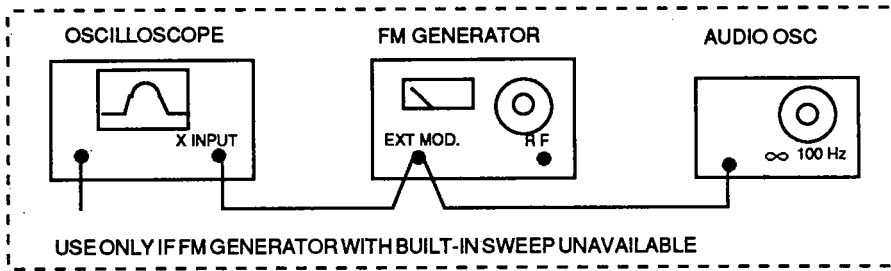
Specifications are those in effect at the time of printing. NAD reserves the right to change specifications or designs at any time without notice.

REMOTE CONTROL TRANSMITTER

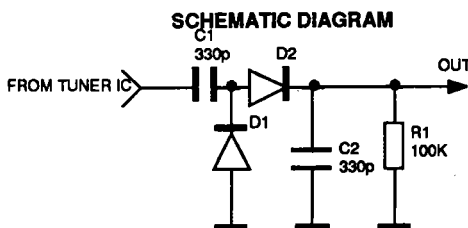


SCHEMATIC FOR REFERENCE ONLY,
TRANSMITTER NON-REPAIRABLE.

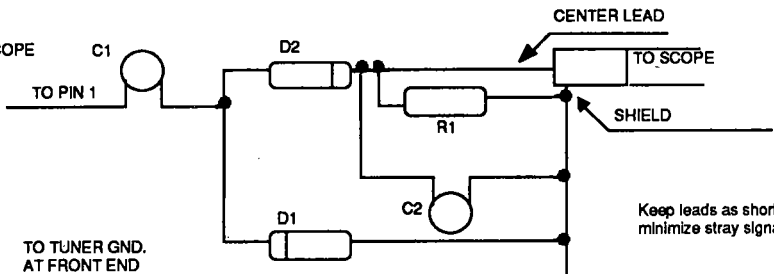
SUGGESTED INSTRUMENTATION HOOKUP- FM ALIGNMENT



DETECTOR PROBE



PICTORIAL DIAGRAM



Keep leads as short as possible, to minimize stray signal pickup.

Diodes should be point-contact germanium: some types commonly available are:

- OA80
- OA81
- AA119
- 1N60
- 1N34
- 1N22

INDUCTOR TEST PROBE

THIN BRASS,
2x10 mm approx



FERRITE
2-3 mm DIA

BRASS, FERRITE
FROM RF COIL.
FASTEN WITH
GLUE.

FM ALIGNMENT

NECESSARY INSTRUMENTATION:

- * Stereo Modulator (less than 0.05% THD, more than 50dB Sep.)
- * FM Generator (less than 0.05% THD)
- * 75 ohm Dummy Antenna (if needed by generator)
- * Audio Oscillator (not necessary if FM generator has built-in sweep, e.g., SOUND TECHNOLOGY ST 1000A or ST 1020A)
- * 2 AC VTVM's (or one with a Left/Right switch)
- * THD Analyzer (resolution less than 0.1%)
- * Oscilloscope (5mV or better sensitivity, X-Y capability)
- * Frequency Counter
- * Diode Detector Probe
- * Ferrite/Brass inductor test probe

IMPORTANT NOTES

- 1) RF levels are at antenna input.
- 2) Before aligning, select FM, switch off MONO.
- 3) If FM Generator is not synthesizer-type, be sure to check its frequency with Frequency Counter When adjusting detector and stereo decoder circuits.
- 4) Hum in measurements may be caused by ground loop via antenna cable; if so, use isolation balun, or isolate cable shield and hot with small capacitors (470 ~ 1000pf).
- 5) To adjust front-end coils, bend gently with wooden or plastic tool (non-interactive).
- 6) ENTER the following frequencies: 90.00, 105.00, 87.50, 108.00, 98.00

A. LOCAL OSCILLATOR FREQUENCY

1. Connect Frequency Counter between front-end pin 8 (front-most) and Ground.
2. Tune to 90 MHz (No RF input needed).
3. Adjust C-934 so that reading is $100.700\text{MHz} \pm 2\text{KHz}$.
4. Remove counter.

B. TUNING VOLTAGE

1. Connect DMM between P-936 and Ground.
2. Tune to 108.00MHz, and adjust L-7 if reading is not $20.0\text{V} \pm 0.5\text{V}$
3. Tune to 88.00MHz, and check that reading is $3.0\text{V} \pm 0.5\text{V}$
4. Repeat until within tolerance.

C. TRACKING

1. Connect FM Generator to 75 ohm antenna input (modulate $\pm 150\text{kHz}$ sweep) and Detector Probe to Pin 1 of Q106 (ground to tuners shield).
2. Adjust vertical sensitivity of Oscilloscope to maximum, and set to X-Y mode. (X input is sweep signal, Y is detector probe).
3. Tune to 105MHz and adjust generator so that curve appears on Oscilloscope, and covers approximately 1/2 of display.
4. Check L2, L3, L4 with ferrite/brass probe, adjust only if probe causes curve height to increase more than 10%. If necessary, reduce generator output to keep entire curve on display.

5. Tune to 90MHz and adjust Generator so that curve appears on Oscilloscope.
6. Check L2, L3, L4 again; if necessary, distribute any error between both frequencies.

Note: 105MHz curve is typically slightly higher than 90MHz.

D. IF ADJUSTMENTS

1. Tune to approximately 98MHz (must be an unoccupied frequency), and adjust FM Generator to display curve on the oscilloscope.
2. Adjust I-1 and I-101 for maximum and symmetrical curve using as little RF input signal as possible.
3. Remove detector probe.

E. DETECTOR ADJUSTMENT

1. Remove Detector Probe, and connect Tape Output to Distortion Analyzer and Oscilloscope.
2. Connect DMM between P-703 (-) and P-704 (+).
3. Tune to 98MHz and feed 1000uV from FM Generator (Modulate 1kHz 100%, Mono).
4. Adjust I-102 Secondary (front) for lowest THD. Specification: less than 0.1%
5. Adjust L-102 Primary (rear) for $0V \pm 50mV$ reading on DMM.
6. Repeat until no further improvement.

F. STEREO DISTORTION & SEPARATION

1. Tune to 98MHz and feed 1000uV from FM Generator. Modulate 1kHz, 100% left (or right) only.
2. Adjust I-1 just slightly so that distortion on left (or right) channel becomes minimum.
3. Check stereo distortion, wide IF; Specification: less than 0.1% , L + R, L only, R only, L - R.
4. Set IF to wide and modulate L only. Adjust R-176 for minimum output on right channel.
Next, modulate R only and adjust R-176 for minimum output on left channel.
If necessary, readjust R-176 so that readings become same on both channels. Specification: less than -45dB.

G. AUTO SEARCH LEVEL

1. Set IF to wide. Connect DMM between P-935 and Ground.
2. Set FM Generator output to 10uV and adjust R-144 so that reading just goes from 0 V to 4.4V. Tolerance: $\pm 2uV$.

H. STEREO SWITCHING LEVEL

1. Set FM Generator output to 5uV, 1kHz 100% L + R.
2. Adjust R-148 so that the stereo light just turns on. Tolerance: ± 1 uV.

NOTE: The tuner will switch into mono at a lower level, typically 4uV.

I. SIGNAL METER LEVEL

1. Set FM Generator output to 500 uV
2. Adjust R-141 so that fifth LED just lights.

J. MULTIPLEX FILTERS

1. Set FM Generator output to 1000uV, 1kHz 100% L + R, and set reference for S/N measurement. Cancel the stereo modulation and leave pilot tone.
2. Adjust Z-111 (Z-112)(rear slug) for minimum subcarrier output on left (right) channel; Specification: less than -60dB.
3. Reduce FM Generator output so that S/N ratio reads 50dB.(Approx 18uV)

AM ALIGNMENTS

A. TUNING VOLTAGE

1. Connect DMM between P-936 and Ground.
2. Tune to 1600(1602)KHz. Enter into Preset 2. Adjust C-137 for reading of $8.1V \pm 0.5V$.
3. Tune to 520(522)kHz. Enter into Preset 1. Adjust L-102 for reading of $1.0V \pm 0.1V$.
4. Repeat until within tolerance.

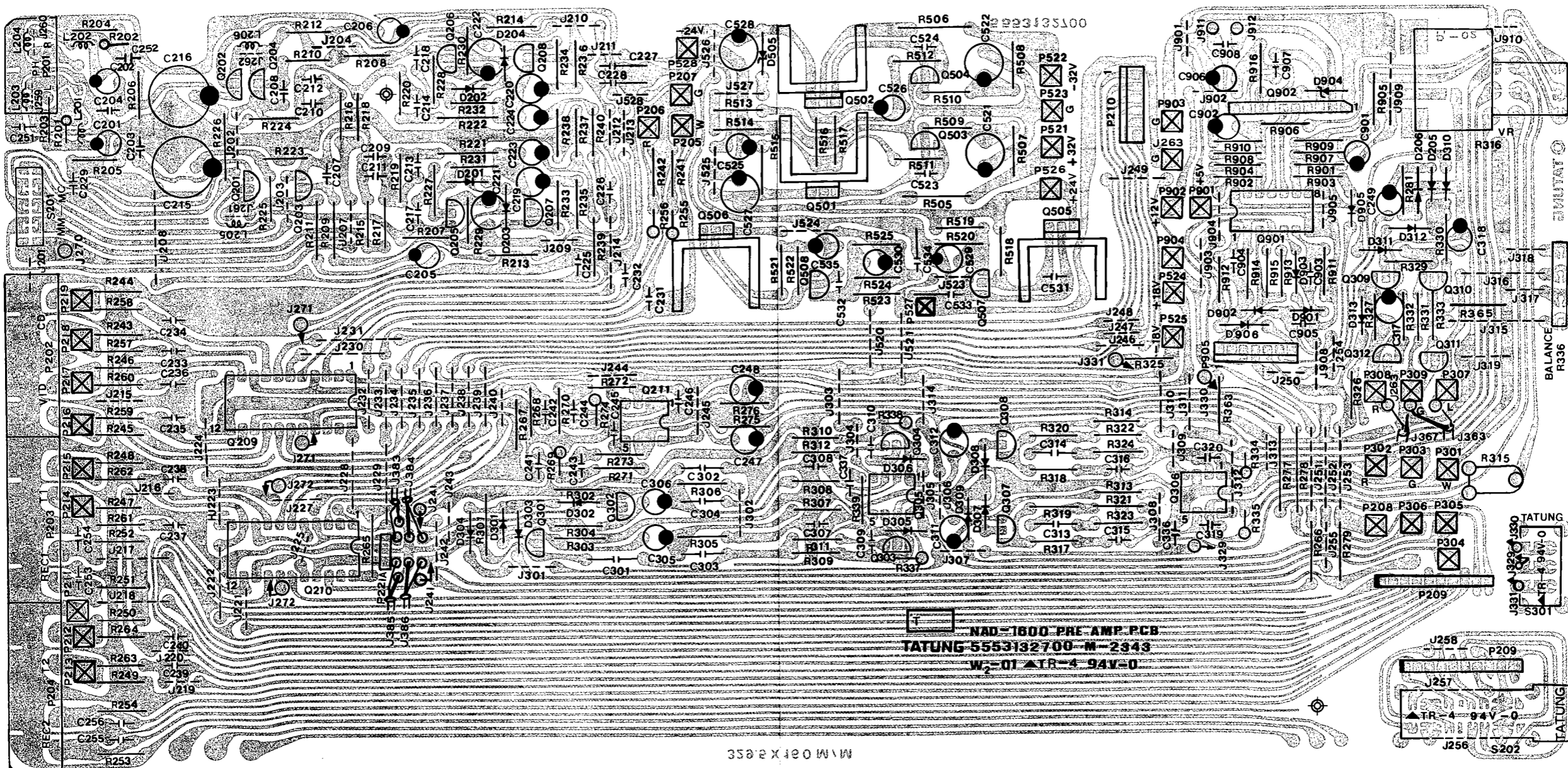
B. ANTENNA, IF

1. Swing antenna away from chassis.
2. Connect DC voltmeter to Anode, D110 (rear) and Ground.
3. Tune to a station of moderate strength near 1400kHz. Enter into Preset 4. Adjust C-136 for maximum reading on meter.
4. Adjust I-103 and I-104 for maximum reading on meter.
5. Tune to a station of moderate strength near 600kHz. Enter into Preset 3. Adjust L-101(AM Antenna) for maximum reading on meter (use non-interactive tool, such as plastic or wooden stick).
6. Repeat until no further improvement.

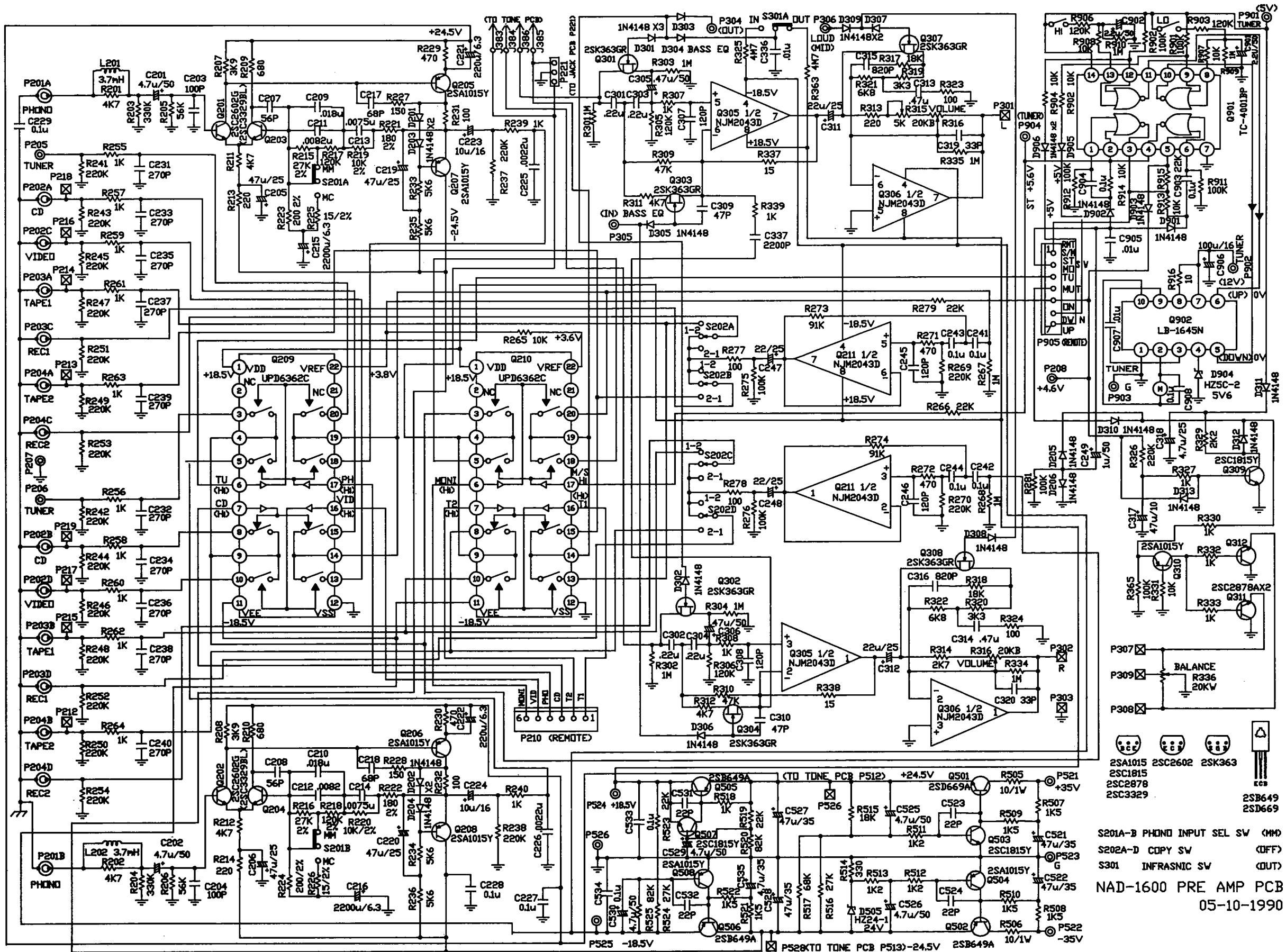
C. SCAN STOP/SIGNAL METER LEVEL

1. Tune to 1000kHz and feed 200uV to antenna terminals.
2. Adjust R-165 so that fifth LED just lights fully.

**PREAMPLIFIER PCB LAYOUT
COMPONENT SIDE**

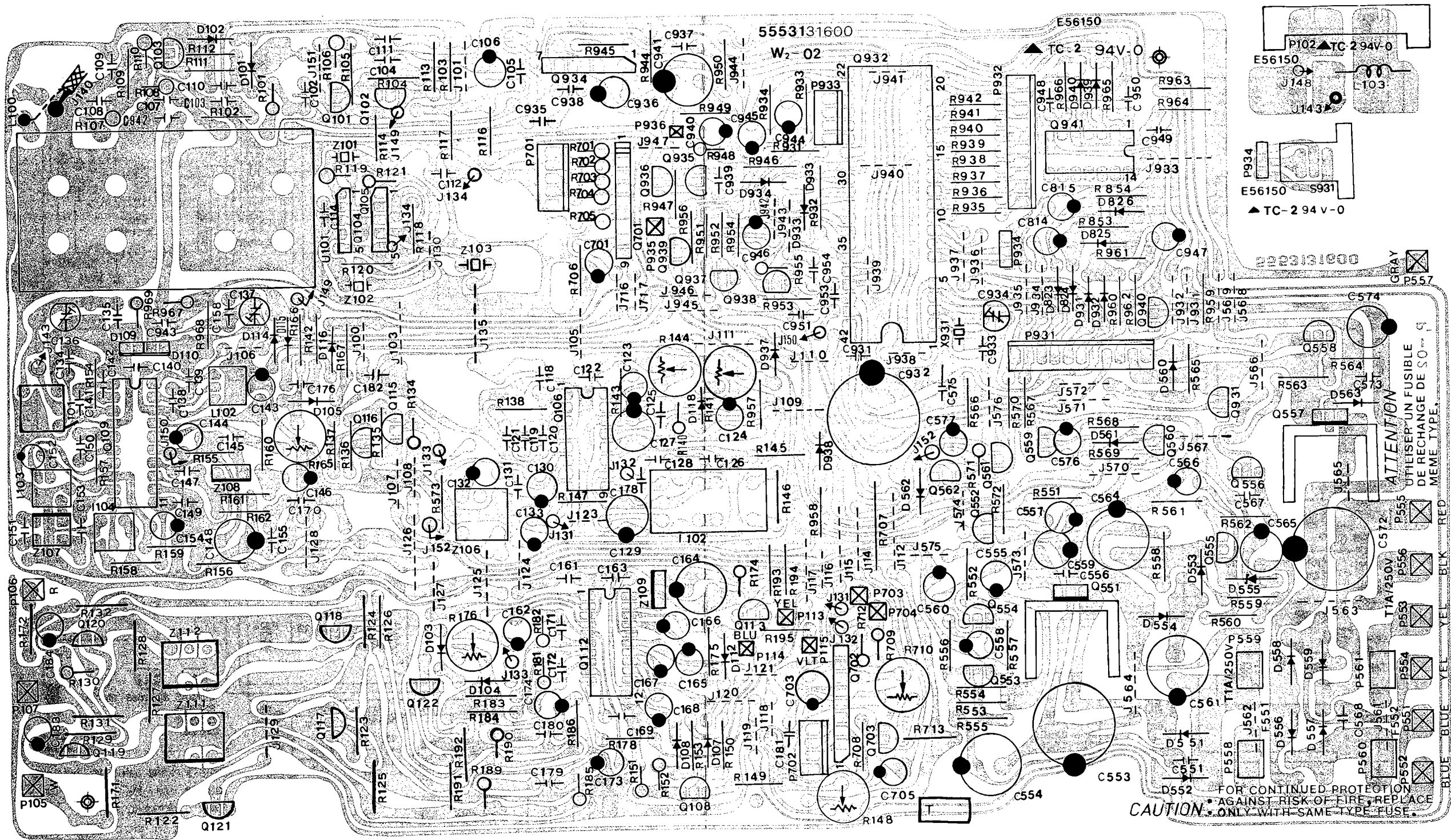


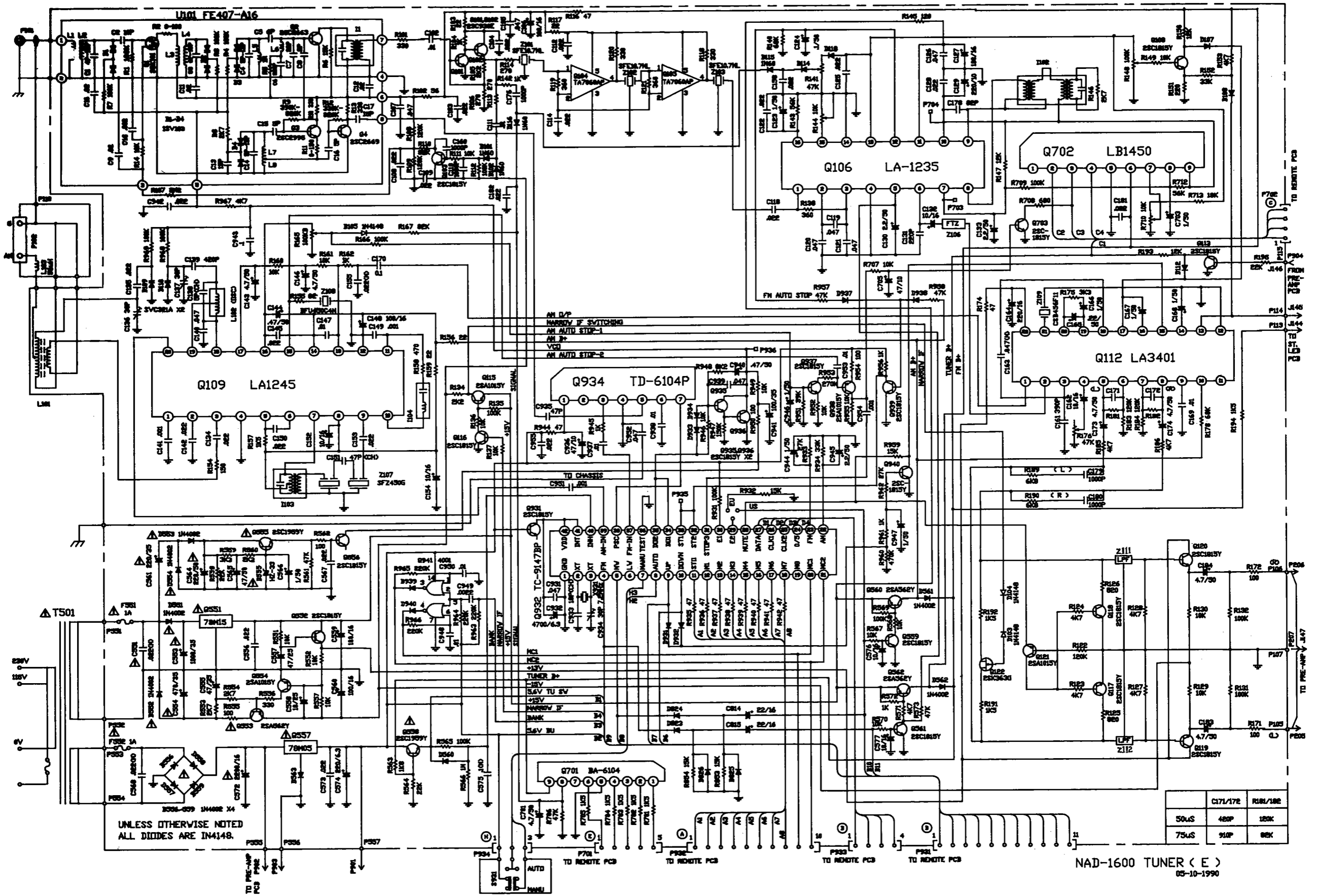
MIM Oef X a 552



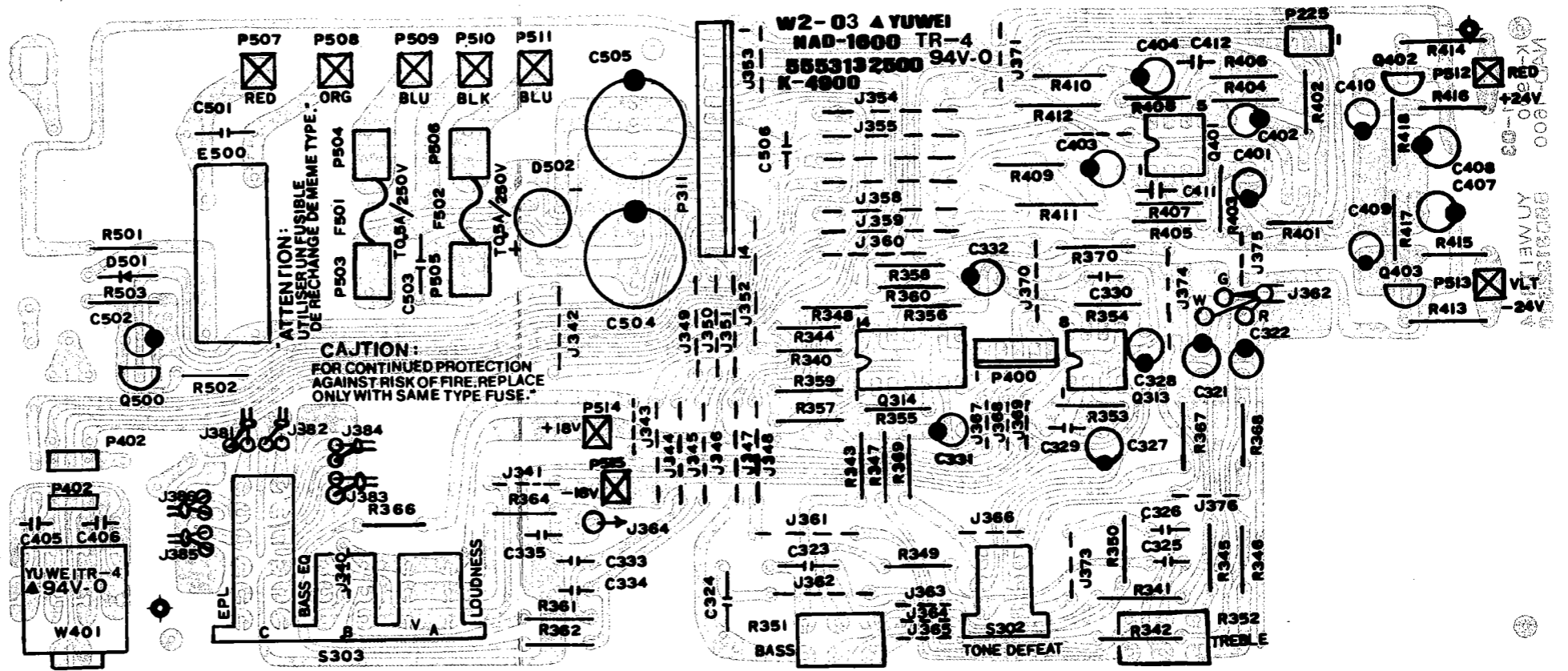
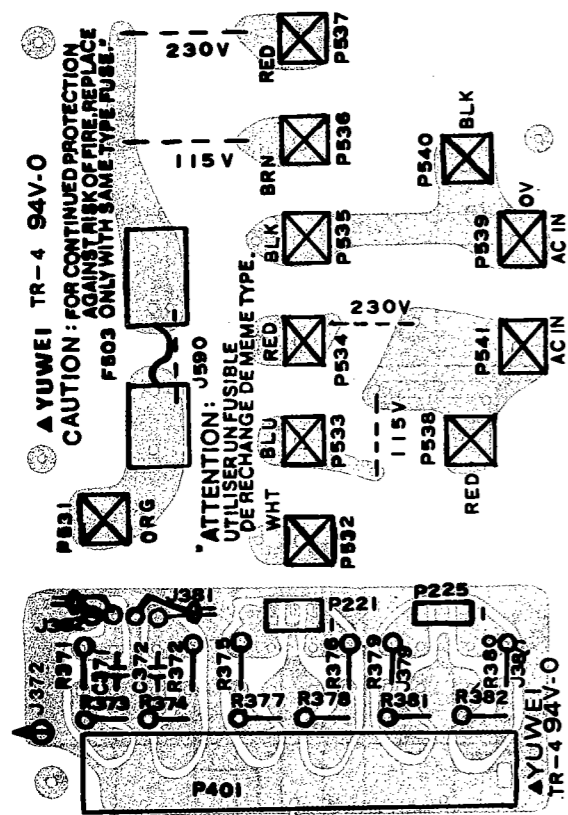
- 2SA1015
 - 2SC2602
 - 2SK363
 - 2SC1815
 - 2SC2878
 - 2SC3329
 - 2SB649
 - 2SD669
- S201A-B PHONO INPUT SEL SW (MM)
 S202A-D COPY SW (OFF)
 S301 INFRASNIC SW (OUT)
- NAD-1600 PRE AMP PCB**
 05-10-1990

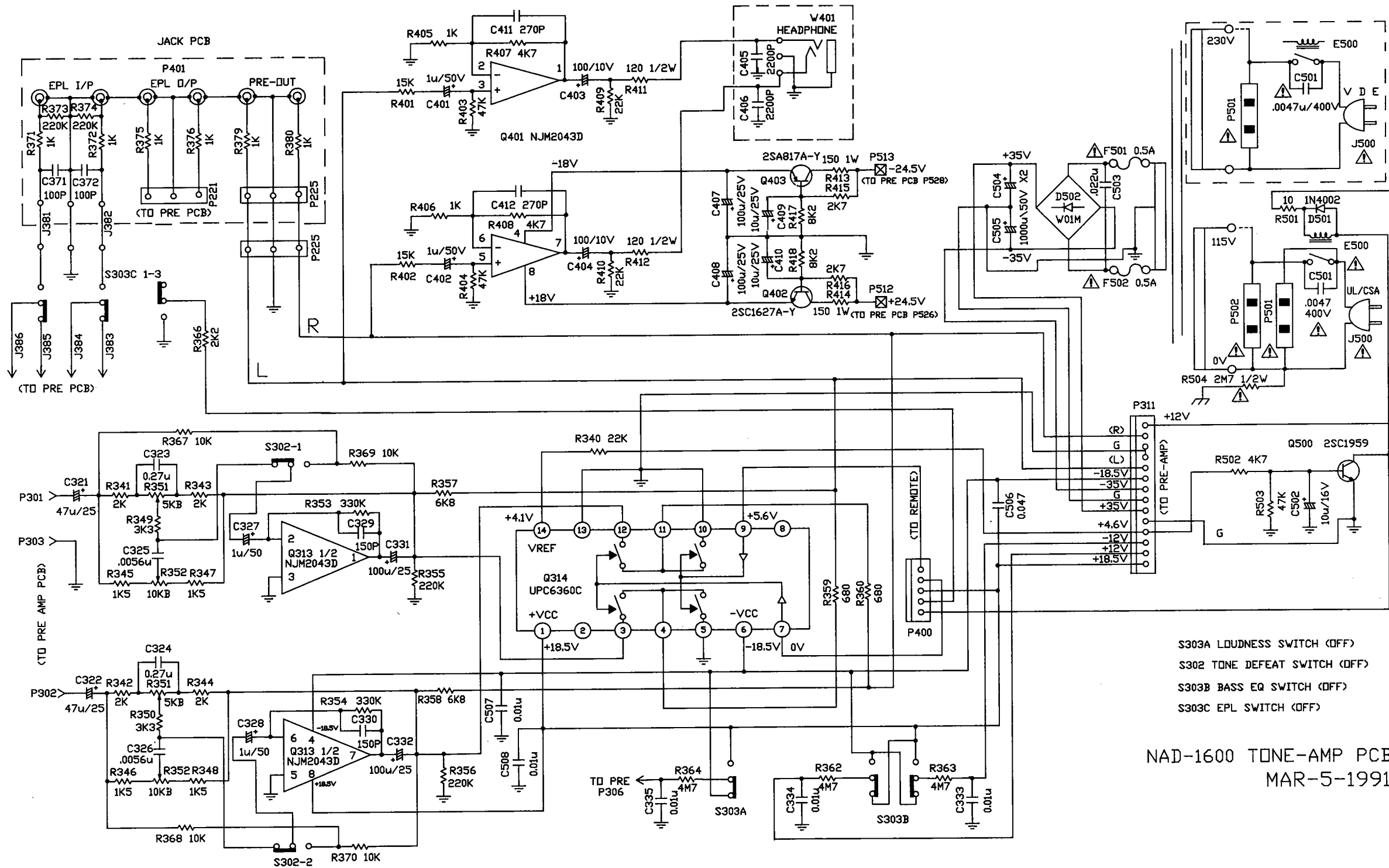
**TUNER PCB LAYOUT
COMPONENT SIDE**





**TONE AMP PCB LAYOUT
COMPONENT SIDE**

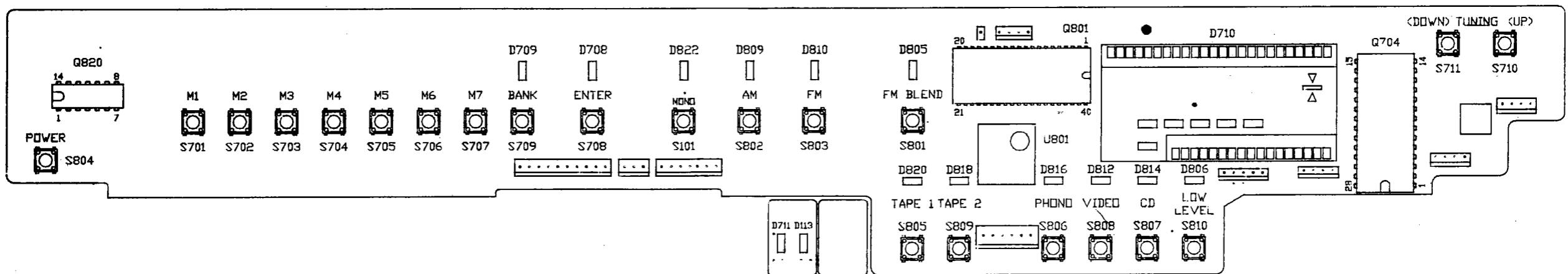
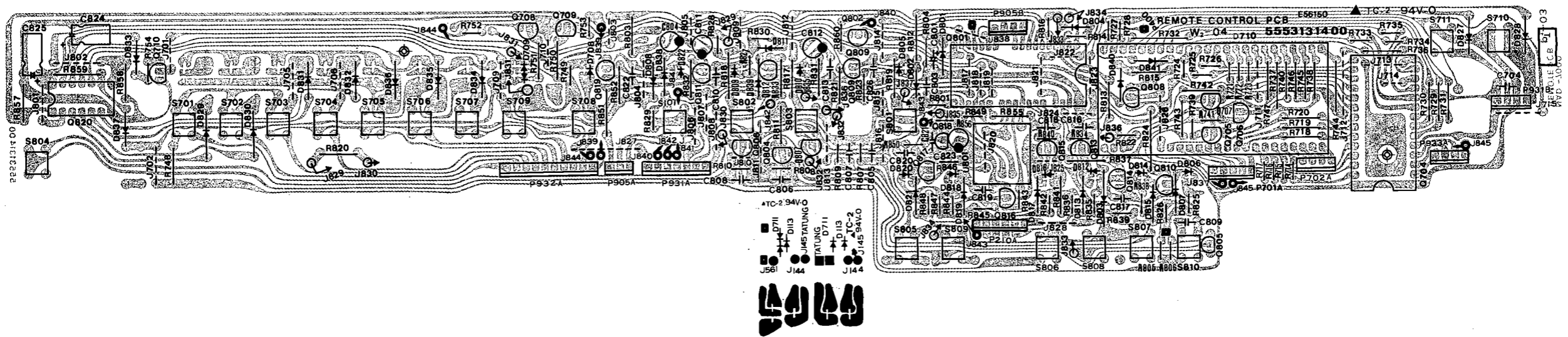


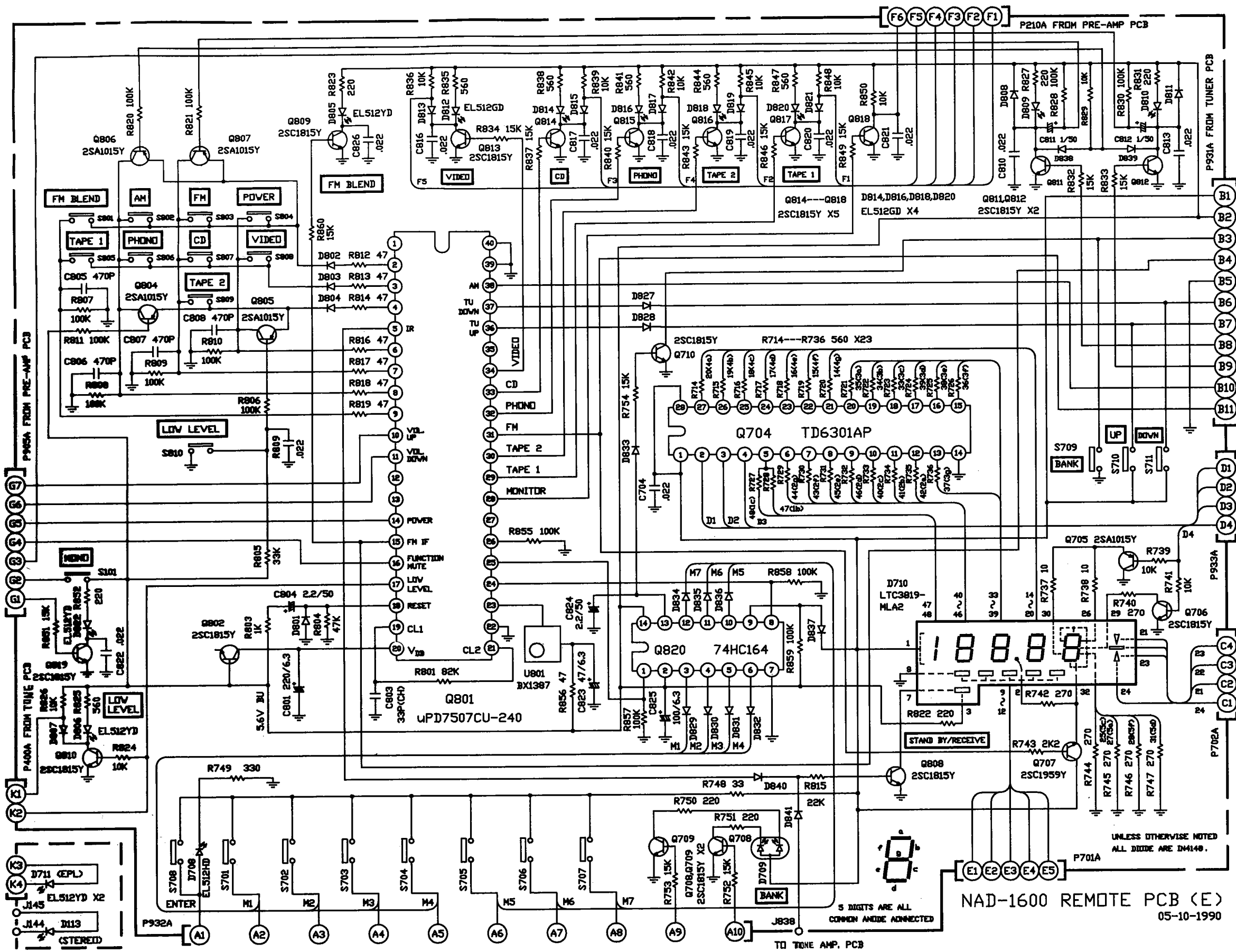


- S303A LOUDNESS SWITCH (OFF)
- S302 TONE DEFEAT SWITCH (OFF)
- S303B BASS EQ SWITCH (OFF)
- S303C EPL SWITCH (OFF)

NAD-1600 TONE-AMP PCB
MAR-5-1991

**REMOTE/DISPLAY PCB LAYOUT
COMPONENT SIDE**





NAD-1600 REMOTE PCB (E)
05-10-1990

SYMBOL NO	I/D	QTY	PART NO.	DESCRIPTION	SPECIFICATION
				PCB ASS'Y	
				TONE PCB ASS'Y	
				TONE PCB BLOCK	
B300		1	5553132500	TONE CONTROL	232.5*99mm NAD-1600
C321, C322		2	5213447091	CAP. EL.	47uFMT ±20% 50V
C323, C324		2	5222124701	CAP. POLY. P=10mm	0.27MFJ ±5% 50V
C325, C326		2	5222156291	CAP. POLY.	5000PFJT ±5% 50V
C327, C328		2	5213601091	CAP. EL.	1uFMT ±20% 50V
C329, C330		2	5247115191	CAP. CER.	1000PFKT ±10% 50V
C331, C332		2	5213410191	CAP. EL.	100uFMT ±20% 25V
C333-C335		3	5231810391	CAP. CER.	10000PFZT +80-0.2% 50V
C401, C402		2	5213601091	CAP. EL.	1uFMT ±20% 50V
C403, C404		2	5213410191	CAP. EL.	100uFMT ±20% 25V
C407, C408		2	5213410191	CAP. EL.	100uFMT ±20% 25V
C409, C410		2	5213611091	CAP. EL.	1uFMT ±20% 25V
C411, C412		2	5247127191	CAP. CER.	270PFPT ±10% 50V
C501		1	5230102701	CAP. CER.	4700PFM ±20% 400V
C502		1	5213410091	CAP. EL.	1uFMT ±20% 25V
C503		1	5272222301	CAP. METALLIZED P.R P=10mm	20000PFK ±10% 250V
C504, C505		2	5213610212	CAP. EL.	1000uFMT ±20% 50V
C506		1	5231847391	CAP. CER.	4700PFMT ±20% 50V
D501		1	6611002720	DIODE, RECTIFIER/NOT	1M402 100V 1A
D502		1	6611002970	DIODE, RECT. BRIDGE/GIT	M01G 100V 1.5A
E500		1	5554501800	RELAY (UL/CSA/VDE)	VS-12M-VT5
F501 A		1	5554306501	FUSE, 5.2x20mm	250V/500mA
F501 AI		1	5554306501	FUSE, 5.2x20mm	250V/500mA
F501 B		1	5554306500	FUSE, 5.2x20mm	250V/500mA T51 SBNKO
F501 BI		1	5554306500	FUSE, 5.2x20mm	250V/500mA T51 SBNKO
F501 C		1	5554306500	FUSE, 5.2x20mm	250V/500mA T51 SBNKO
F501 CI		1	5554306500	FUSE, 5.2x20mm	250V/500mA T51 SBNKO
F502 A		1	5554306501	FUSE, 5.2x20mm	250V/500mA
F502 AI		1	5554306501	FUSE, 5.2x20mm	250V/500mA
F502 B		1	5554306500	FUSE, 5.2x20mm	250V/500mA T51 SBNKO
F502 BI		1	5554306500	FUSE, 5.2x20mm	250V/500mA T51 SBNKO
F502 C		1	5554306500	FUSE, 5.2x20mm	250V/500mA T51 SBNKO
F502 CI		1	5554306500	FUSE, 5.2x20mm	250V/500mA T51 SBNKO
J340-J355		16	6119210600	WIRE, TIN COATED	0.60 0.150M 0.150M
J356-J371		14	6119210600	WIRE, TIN COATED	0.60 0.150M 0.150M
J372-J376		4	6119210600	WIRE, TIN COATED	0.60 0.060M
J381		1	6173312801	WIRE, SHIELD SRPVC BRN	7/0.12 0.450M 2#
J381A		1	6707020140	INSULATION TUBING T=105 AWG15	600V 0.010M BLK 1.4
J382		1	6173312802	WIRE, SHIELD SRPVC WBD	7/0.12 0.450M 2#
J382A		1	6707020140	INSULATION TUBING T=105 AWG15	600V 0.010M BLK 1.4
P225		1	5556900210	PVC 3P PARALLEL WIRE BLK	7/0.16 300mm AWG26#
P400		1	5556102005	5P MALE WAFER	IL-0-6P-S372-B
P402		1	5556900240	PVC 3P PARALLEL WIRE BLK	7/0.16 60mm AWG26#
P503-P506		4	5547032210	FUSE CLIP (5.2#)	CQ-203S
P507-P514		8	5556201900	SQUARE PIN	1.1#1.1#16
Q313		1	6640666000	IC LINEAR / TWC	NM2043D DIP8
Q314		1	6645017901	IC, DIGITAL / NRC	UPD5360C DIP14
Q401		1	6640666000	IC LINEAR / JRC	NM2043D DIP8
Q402		1	6621024401	TR NPN HF / TSB	2SC1827A-V BFE-120 VCR0=80
Q403		1	6623000240	TR NPN HF / TSB	2SA617A-T
Q500		1	6621001021	TR NPN HF / TSB	2SC1953-V
R340		1	5142822390	RES. CARBON FILM	22KJ ±5% 1/4W
R341-R344		4	5142820290	RES. CARBON FILM	22KJ ±5% 1/4W
R345-R348		4	5142815290	RES. CARBON FILM	15KJ ±5% 1/4W
R349, R350		2	5142833290	RES. CARBON FILM	32KJ ±5% 1/4W
R351		1	5169020363	VR.	RE16312AA324-50K#2
R352		1	5169020373	VR.	RE16312AA309-10K#2
R353, R354		2	5142823490	RES. CARBON FILM	330KJ ±5% 1/4W
R355, R356		2	5142822490	RES. CARBON FILM	220KJ ±5% 1/4W
R357, R358		2	5142868290	RES. CARBON FILM	68KJ ±5% 1/4W
R359, R360		2	5142868190	RES. CARBON FILM	680J ±5% 1/4W
R361, R362		2	5142847590	RES. CARBON FILM	47KJ ±5% 1/4W
R364		1	5142847590	RES. CARBON FILM	47KJ ±5% 1/4W
R366		1	5142822290	RES. CARBON FILM	22KJ ±5% 1/4W
R367-R370		4	5142810290	RES. CARBON FILM	10KJ ±5% 1/4W
R401, R402		2	5142815390	RES. CARBON FILM	15KJ ±5% 1/4W
R403, R404		2	5142847590	RES. CARBON FILM	47KJ ±5% 1/4W
R405, R406		2	5142810290	RES. CARBON FILM	10KJ ±5% 1/4W
R407, R408		2	5142847290	RES. CARBON FILM	47KJ ±5% 1/4W
R409, R410		2	5142822390	RES. CARBON FILM	22KJ ±5% 1/4W
R411, R412		2	5142412190	RES. CARBON FILM	120KJ ±5% 1/2W
R413, R414		2	5130315103	RES. CARBON FILM	150JSL ±5% 1W
R415, R416		2	5142827290	RES. CARBON FILM	22KJ ±5% 1/4W
R417, R418		2	5142882290	RES. CARBON FILM	82KJ ±5% 1/4W
R501		1	5142810090	RES. CARBON FILM	10KJ ±5% 1/4W
R502		1	5142848290	RES. CARBON FILM	47KJ ±5% 1/4W
R503		1	5142847390	RES. CARBON FILM	47KJ ±5% 1/4W
S302		1	5554348000	1P PUSH SWITCH	SPUM12K008-TT
S303		1	5554348000	3P PUSH SWITCH	SPUM12K007-TT3
C405, C406		2	5090908139	PHONE PCB BLOCK	
W401		1	5231522291	CAP. CER.	2200PFMT 50V 0 DC
		1	5556311300	6.4 JACK	JY-6312-02-030
C371, C372		2	5090908140	JACK PCB BLOCK	
J372		1	5247010191	CAP. CER.	100PFAT ±5% 50V
J379, J380		2	6130003500	WIRE, PVC BLACK	7/0.2 0.150M 24AWG
P401		1	6119210600	WIRE, TIN COATED SOFT COPPER	0.60 0.060M
R371, R372		1	5556205600	6P SIGNAL JACK	12-2093
R373, R374		2	5142810290	RES. CARBON FILM	10KJ ±5% 1/4W
R375, R376		2	5142122490	RES. CARBON FILM	220KJ ±5% 1/4W
		2	5142110290	RES. CARBON FILM	10KJ ±5% 1/4W
J590-J592		3	5090908141	POWER TERMINAL PCB BLOCK	
P531-P541		11	6119210600	WIRE, TIN COATED SOFT COPPER	0.60 0.060M
		1	5547034400	PCAT PIN	1.7#1.7#3.4 NAD-7100/2100
			5090408089	PRE-AMP. PCB ASS'Y	
				PRE-AMP. PCB ASS'Y	
S008		2	5545306900	HEAT SINK (S)	
S008A		2	7033161156	SCRW BRN RUD TS PC	M3.0#08
S012		2	5545306910	HEAT SINK (S)	L=21
S012A		2	7033161156	SCRW BRN RUD TS PC	M3.0#08

B200		1	5553132700	PRE-AMP. PCB	323.5*160mm NAD-1600
C201, C202		2	5213647991	CAP. EL.	4.7uFMT ±20% 50V
C203, C204		2	5247010191	CAP. CER.	100PFAT ±5% 50V
C205		1	5213447091	CAP. EL.	47uFMT ±20% 25V
C206		1	5213447012	CAP. CER.	47uFMT ±20% 25V
C207, C208		2	5247056091	CAP. CER.	56PFJT ±5% 50V
C209, C210		2	5222118391	CAP. POLY.	18000PFJT ±5% 50V
C211, C212		2	5222182291	CAP. POLY.	8200PFJT ±5% 50V
C213, C214		2	5222175391	CAP. POLY.	15000PFJT ±5% 50V
C215, C216		2	5213122212	CAP. EL.	220uFMT ±20% 6.3V
C217, C218		2	5247056091	CAP. CER.	68PFJT ±5% 50V
C219, C220		2	5213447012	CAP. EL.	47uFMT ±20% 25V
C221		1	5213122211	CAP. EL.	220uFMT ±20% 6.3V
C222		1	5213122191	CAP. EL.	220uFMT ±20% 6.3V
C223, C224		2	5213647091	CAP. EL.	10uFMT ±20% 50V
C225, C226		2	5222122291	CAP. POLY.	2200PFJT ±5% 50V
C227, C228		2	5213181040	CAP. CER.	0.1uFMT +80-20% 50V
C229		1	5226110491	CAP. SEMI.	0.1uFMT ±10% 25V
C231-C240		10	5247127191	CAP. CER.	270PFPT ±10% 50V
C241-C244		4	5222110491	CAP. POLY.	0.1MFJT ±5% 50V
C245, C246		2	5247112191	CAP. CER.	120PFKT ±10% 50V
C247, C248		2	5213422091	CAP. EL.	22uFMT ±20% 25V
C249		1	5236100191	CAP. EL.	1uFMT ±20% 50V
C251, C252		2	5247068091	CAP. CER.	68PFJT ±5% 50V
C253-C256		4	5247127191	CAP. CER.	270PFJT ±5% 50V
C301-C304		4	5222122401	CAP. POLY. P=10mm	0.22MFJT ±5% 50V
C305, C306		2	5247012191	CAP. CER.	0.47uFMT ±20% 50V
C307, C308		2	5247112191	CAP. CER.	120PFKT ±10% 50V
C309, C310		2	5247047091	CAP. CER.	47PFJT ±5% 50V
C311, C312		2	5213422091	CAP. EL.	22uFMT ±20% 25V
C313, C314		2	5222147091	CAP. POLY. P=10mm	0.47MFJT ±5% 50V
C315, C316		2	5231382191	CAP. CER.	820PFJT ±10% 50V
C317		1	5213647991	CAP. EL.	47uFMT ±20% 50V
C318		1	5213647991	CAP. EL.	47uFMT ±20% 50V
C319, C320		2	5247030391	CAP. CER.	33PFJT ±5% 50V
C336		1	5231810391	CAP. CER.	10000PFZT +80-20% 50V
C337		1	5231547201	CAP. CER.	2200PFM ±20% 50V
C521, C522		2	5247022091	CAP. CER.	47uFMT ±20% 50V
C523, C524		2	5247022091	CAP. CER.	22PFJT ±5% 50V
C525, C526		2	5213647991	CAP. EL.	47uFMT ±20% 50V
C527, C528		2	5213547091	CAP. EL.	47uFMT ±20% 35V
C529, C530		2	5213647991	CAP. EL.	47uFMT ±20% 50V
C531, C532		2	5247022091	CAP. CER.	22PFJT ±5% 50V
C533, C534		2	5236210401	CAP. SEMI.	0.1uFMT ±20% 25V
C535		1	5213647991	CAP. EL.	47uFMT ±20% 50V
C901, C902		2	5213622991	CAP. EL.	2.2uFMT ±20% 50V
C903		1	5222110491	CAP. POLY.	0.1MFJT ±5% 50V
C904		1	5222110401	CAP. POLY. P=7.5mm	0.1MFJT ±5% 50V
C905		1	5231810391	CAP. CER.	10000PFZT +80-20% 50V
C906		1	5213101191	CAP. EL.	100uFMT ±20% 16V
C907		1	5222110391	CAP. CER.	10000PFJT ±5% 50V
C908		J	5236110491	CAP. SEMI.	0.1uFMT ±10% 25V
D201-D206		6	6613000300	DIODE, SWITCHING / ITT	1M4148
D301-D313		13	6613000300	DIODE, SWITCHING / ITT	1M4148
D505		1	6615016101	DIODE, ZENER / HIT	8Z-24-1 22.9-24V
D901-D903		3	6613000300	DIODE, SWITCHING / ITT	1M4148
D904	BA	1	6615005734	DIODE, ZENER / UNI T=25mm	UZ5.6BM 5.4-5.8V 0.5W
D904					

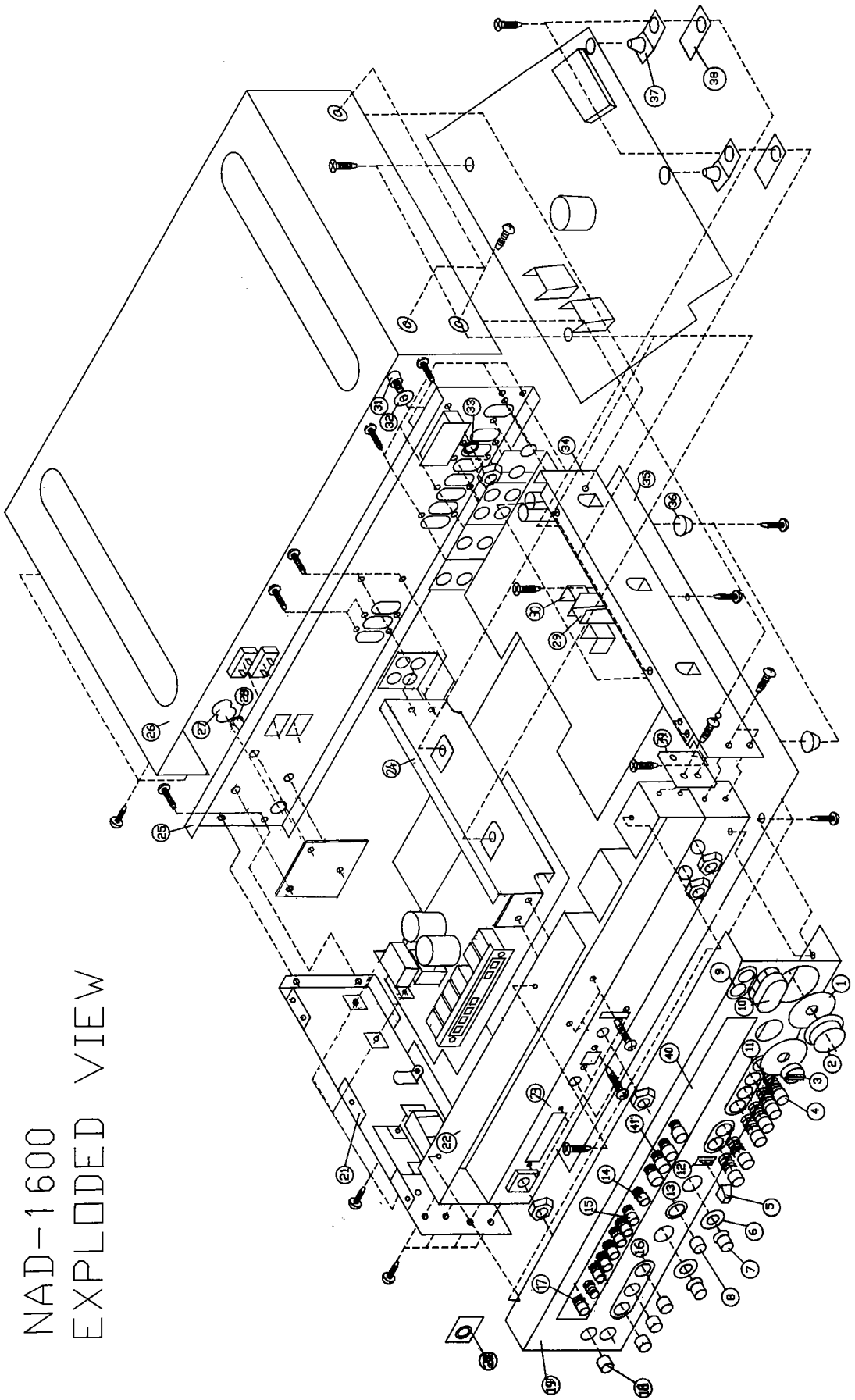
SYMBOL NO	I/D	QTY	PART NO.	DESCRIPTION	SPECIFICATION	SYMBOL NO	I/D	QTY	PART NO.	DESCRIPTION	SPECIFICATION
Q201	RA	1	6621034330	TR,NPN HF /MIT	2SC2602-G NF-1.80B TAPING	S202		1	5554425000	LEVER SWITCH	SLLR543ND1-TT
Q201	RB	1	6621034830	TR,NPN HF /TSB	2SC3329BL VCO-80V TAPING						
Q202	RA	1	6621034330	TR,NPN HF /MIT	2SC2602-G NF-1.80B TAPING					INFRASOMIC	
Q202	RB	1	6621034830	TR,NPN HF /TSB	2SC3329BL VCO-80V TAPING	S301		1	5554431610	SLIDER SWITCH	SSSB022NB1-HB1-TT
Q203	RA	1	6621034330	TR,NPN HF /MIT	2SC2602-G NF-1.80B TAPING					REMOTE PCB ASS'Y	
Q203	RB	1	6621034830	TR,NPN HF /TSB	2SC3329BL VCO-80V TAPING					REMOTE PCB BLOCK	
Q204	RA	1	6621034330	TR,NPN HF /MIT	2SC2602-G NF-1.80B TAPING						
Q204	RB	1	6621034830	TR,NPN HF /TSB	2SC3329BL VCO-80V TAPING	R801		1	5553131401	REMOTE PCB	414*71 MAD-1600
Q205-Q208			6623002050	TR,NPN HF /TSB	2SA1015-Y	C704		1	5231822391	CAP.CER.	22000PF2T +80-.2X 50V
Q209,Q210			6645020000	IC, DIGITAL /MBC	UPD6632C DIP22	C801		1	5210403800	CAP.EL. (LC)	220uPM ±20% 6.3V
Q211			6644066600	IC LIMBAR /JRC	WM2043D DIP8	C803		1	5242333001	CAP.CER.	33PFJ ±5% 50V
Q301-Q304			6625003730	TR,PFT /TSB	ZS1363GR VDS5-40V	C804		1	5213622991	CAP.CER.	2.2uPMT ±20% 50V
Q305,Q306			6644066600	IC LIMBAR /JRC	WM2043D DIP8	C805-C808		2	524747191	CAP.CER.	470PFET ±10% 50V
Q307,Q308			6625003730	TR,PFT /TSB	ZS1363GR VDS5-40V	C809,C810		2	5231822391	CAP.CER.	22000PF2T +80-.2X 50V
Q309			6621015332	TR,NPN HF /TSB	2SC1015-Y	C811,C812		2	5213601091	CAP.EL.	1uPMT ±20% 50V
Q310			6623002050	TR,NPN HF /TSB	2SA1015-Y	C813		1	5231822391	CAP.CER.	22000PF2T +80-.2X 50V
Q311,Q312			6621018700	TR,NPN HF /TSB (LOW NOISE)	2SC2878-A	C816-C822		7	5231822391	CAP.CER.	22000PF2T +80-.2X 50V
Q501			6622012802	TR,NPN LF /MIT	2SD069AC	C823		1	5239147000	CAP.EL. (MINI)	47uPM ±20% 6.3V
Q502			6624009401	TR,NPN LF /MIT	2SB649A-C 160V 1W	C824		1	5213622910	CAP.EL.	2.2uPM ±20% 50V
Q503			6621015332	TR,NPN HF /TSB	2SC1015-Y	C825		1	5213110110	CAP.EL.	100uPM ±20% 6.3V
Q504			6623002050	TR,NPN HF /TSB	2SA1015-Y	C826		1	5231822391	CAP.CER.	22000PF2T +80-.2X 50V
Q505,Q506			6624009401	TR,NPN LF /MIT	2SB649A-C 160V 1W	D708		1	6618009100	DIODE, LEO./ SEN, RED	SE-94110H 2*5mm
Q507			6621015302	TR,NPN HF /TSB	2SC1815-Y	D709		1	6618017400	DIODE, LEO./BLT. YELLOW/GREEN	EL-529YCN-2*5mm
Q508			6623002050	TR,NPN HF /TSB	2SA1015-Y	D710		1	6618015900	DIODE, LEO./LIT	LTC-3819MLA2 0.4*4.5 DIGIT
Q901	RA	1	6645019800	IC. DIGITAL /STO	LC4001B DIP14	D801-D804		4	6613003030	DIODE, SWITCH/ ITT	1N4148
Q901	RB	1	6645019800	IC. DIGITAL /STO	7C4001BP DIP14	D805,D806		2	6618009400	DIODE, LEO./ SEN, YELLOW	SE-9431D 2*5mm
Q902			6644067100	IC LIMBAR /STO	LB1645M S1P10	D807,D808		2	6613003030	DIODE, SWITCH/ ITT	1N4148
R201,R202			5142147290	RES. CARBON FILM	4K7JB ±5% 1/4W	D809,D810		2	6618010900	DIODE, LEO./ SEN, GREEN	SE9421D/LT5321-41 2*5mm
R203,R204			5142833490	RES. CARBON FILM	330KJB ±5% 1/4W	D811		1	6613003030	DIODE, SWITCH/ ITT	1N4148
R205,R206			5142856390	RES. CARBON FILM	56KJB ±5% 1/4W	D812		1	6618010900	DIODE, LEO./ SEN, GREEN	SE9421D/LT5321-41 2*5mm
R207,R208			5142839290	RES. CARBON FILM	28KJB ±5% 1/4W	D813		1	6613003030	DIODE, SWITCH/ ITT	1N4148
R209,R210			5142868190	RES. CARBON FILM	680JB ±5% 1/4W	D814		1	6618010900	DIODE, LEO./ SEN, GREEN	SE9421D/LT5321-41 2*5mm
R211,R212			5142847290	RES. CARBON FILM	4K7JB ±5% 1/4W	D815		1	6613003030	DIODE, SWITCH/ ITT	1N4148
R213,R214			5142832190	RES. CARBON FILM	220JB ±5% 1/4W	D816		1	6618010900	DIODE, LEO./ SEN, GREEN	SE9421D/LT5321-41 2*5mm
R215,R216			5141827390	RES. CARBON FILM	270KB ±2% 1/4W	D817		1	6613003030	DIODE, SWITCH/ ITT	1N4148
R217,R218			5141812490	RES. CARBON FILM	120KGB ±2% 1/4W	D818		1	6618010900	DIODE, LEO./ SEN, GREEN	SE9421D/LT5321-41 2*5mm
R219,R220			5141810390	RES. CARBON FILM	100GB ±2% 1/4W	D819		1	6613003030	DIODE, SWITCH/ ITT	1N4148
R221,R222			5141818190	RES. CARBON FILM	180GB ±2% 1/4W	D820		1	6618010900	DIODE, LEO./ SEN, YELLOW	SE9421D/LT5321-41 2*5mm
R223,R224			5141820190	RES. CARBON FILM	200GB ±2% 1/4W	D821		1	6613003030	DIODE, SWITCH/ ITT	1N4148
R225,R226			5141815090	RES. CARBON FILM	150GB ±2% 1/4W	D822		1	6618009400	DIODE, LEO./ SEN, YELLOW	SE-9431D 2*5mm
R227,R228			5142815190	RES. CARBON FILM	150JB ±5% 1/4W	D827-D841		15	6613003030	DIODE, SWITCH/ ITT	1N4148
R229,R230			5142847190	RES. CARBON FILM	470JB ±5% 1/4W	J701,J702		2	5119210600	WIRE,TIN COATED SOFT COPPER	0.60 0.060H
R231,R232			5142810190	RES. CARBON FILM	100JB ±5% 1/4W	J709-J715		7	6119210600	WIRE,TIN COATED SOFT COPPER	0.60 0.060H
R233-R236			5142856290	RES. CARBON FILM	56KJB ±5% 1/4W	J801-J828		28	5119210600	WIRE,TIN COATED SOFT COPPER	0.60 0.060H
R237,R238			5142810390	RES. CARBON FILM	100JB ±5% 1/4W	J829		1	6130003533	WIRE,PVC ORANGE	7/0.20 0.170M 24AWG
R239,R240			5142810290	RES. CARBON FILM	1KJB ±5% 1/4W	J830		1	6130003544	WIRE,PVC YELLOW	7/0.20 0.150M 24AWG
R241-R254			5142822490	RES. CARBON FILM	220KJB ±5% 1/4W	J831		1	6130003522	WIRE,PVC RED	7/0.20 0.450M 24AWG
R255-R264			5145810290	RES. CARBON FILM	1KJB ±5% 1/4W	J832		1	6130003566	WIRE,PVC BLUE	7/0.20 0.055M 24AWG
R265			5145810390	RES. CARBON FILM	100JB ±5% 1/4W	J833		1	6130003587	WIRE,PVC PURPLE	7/0.20 0.120M 24AWG
R266			5142822190	RES. CARBON FILM	22KJB ±5% 1/4W	J834		1	6130003588	WIRE,PVC GRAY	7/0.20 0.120M 24AWG
R267,R268			5142810590	RES. CARBON FILM	100JB ±5% 1/4W	J835		1	6130003522	WIRE,PVC RED	7/0.20 0.850M 24AWG
R269			5142132490	RES. CARBON FILM	220KJB ±5% 1/6W	J836		1	6130003533	WIRE,PVC ORANGE	7/0.20 0.130M 24AWG
R270			5142822490	RES. CARBON FILM	220KJB ±5% 1/4W	J837		1	6130003599	WIRE,PVC WHITE	7/0.20 0.140M 24AWG
R271,R272			5142847190	RES. CARBON FILM	470JB ±5% 1/4W	J838		1	6119210600	WIRE,TIN COATED SOFT COPPER	0.60 0.060M 24AWG
R273,R274			5142891390	RES. CARBON FILM	91KJB ±5% 1/4W	J839		1	6130003500	WIRE,PVC BLACK	7/0.20 0.070M 24AWG
R275,R276			5142810490	RES. CARBON FILM	100KJB ±5% 1/4W	J840		1	6130003511	WIRE,PVC BROWN	7/0.20 0.100M 24AWG
R277,R278			5142810190	RES. CARBON FILM	100JB ±5% 1/4W	J841		1	6130003511	WIRE,PVC BROWN	7/0.20 0.055M 24AWG
R279			5142822390	RES. CARBON FILM	22KJB ±5% 1/4W	J842		1	6130003533	WIRE,PVC ORANGE	7/0.20 0.055M 24AWG
R281			5142810490	RES. CARBON FILM	100KJB ±5% 1/4W	J843		1	6130003577	WIRE,PVC PURPLE	7/0.20 0.060M 24AWG
R301-R304			5142810590	RES. CARBON FILM	100JB ±5% 1/4W	J844		1	6130003511	WIRE,PVC BROWN	7/0.20 0.060M 24AWG
R305,R306			5142812490	RES. CARBON FILM	120KJB ±5% 1/4W	J845		1	6130003522	WIRE,PVC RED	7/0.20 0.050M 24AWG
R307,R308			5142810290	RES. CARBON FILM	1KJB ±5% 1/4W	Q704		1	6645017800	IC. DIGITAL /TSB	T06301AP DIP28
R309,R310			5142847290	RES. CARBON FILM	470JB ±5% 1/4W	Q705		1	6623002050	TR. PNP HF /TSB	2SA1015-Y
R311,R312			5142822190	RES. CARBON FILM	220JB ±5% 1/4W	Q706		1	6621015302	TR. NPN HF /TSB	2SC1815-Y TAPING
R313			5142822190	RES. CARBON FILM	220JB ±5% 1/4W	Q707		1	662101021	TR. NPN HF /TSB	2SC1959-Y
R314			5142822190	RES. CARBON FILM	22KJB ±5% 1/4W	Q708-Q710		3	6621015332	TR. NPN HF /TSB	2SC1815-Y
R315			5162401729	V.R. 09P8502NCO	5X RB08115A0250	Q801		1	6647042000	IC. NUM0RY /MBC	UPD7507CU-240
R316			616900062	VR. & MOTOR	20K*2 RK16312M1001	Q802		1	6621015332	TR. NPN HF /TSB	2SC1815-Y
R317,R318			5142818390	RES. CARBON FILM	18KJB ±5% 1/4W	Q804-Q807		4	6623002050	TR. PNP HF /TSB	2SA1015-Y
R319,R320			5142833290	RES. CARBON FILM	33KJB ±5% 1/4W	Q808		1	6621015302	TR. NPN HF /TSB	2SC1815-Y TAPING
R321,R322			5142856290	RES. CARBON FILM	68KJB ±5% 1/4W	Q809-Q819		11	6621015332	TR. NPN HF /TSB	2SC1815-Y
R323,R324			5142810190	RES. CARBON FILM	100JB ±5% 1/4W	Q820		1	6646052900	IC. DIGITAL /TSB	TCT4UC16AP 14P
R325			5142847501	RES. CARBON FILM	4M7JC ±5% 1/4W	R714-R717		4	5142156190	RES. CARBON FILM	560JB ±5% 1/6W
R326			5142822490	RES. CARBON FILM	220KJB ±5% 1/4W	R718-R720		3	5142856190	RES. CARBON FILM	560JB ±5% 1/4W
R327			5142810290	RES. CARBON FILM	1KJB ±5% 1/4W	R721-R726		6	5142156190	RES. CARBON FILM	560JB ±5% 1/6W
R328			5142822290	RES. CARBON FILM	22KJB ±5% 1/4W	R727,R728		2	5142156101	RES. CARBON FILM	560JC ±5% 1/6W
R329			5142810290	RES. CARBON FILM	1KJB ±5% 1/4W	R729-R732		4	5142856190	RES. CARBON FILM	560JB ±5% 1/4W
R330			5142810390	RES. CARBON FILM	100JB ±5% 1/4W	R733-R736		4	5142156190	RES. CARBON FILM	560JB ±5% 1/6W
R331			5142810290	RES. CARBON FILM	1KJB ±5% 1/4W	R737,R738		2	5142810290	RES. CARBON FILM	100JB ±5% 1/4W
R332,R333			5142810290	RES. CARBON FILM	1KJB ±5% 1/4W	R739		1	5142103090	RES. CARBON FILM	100KJB ±5% 1/6W
R334,R335			5142810590	RES. CARBON FILM	1MJB ±5% 1/4W	R740		1	5142821900	RES. CARBON FILM	270JB ±5% 1/4W
R336			5169010433	VR.	20W RK16311R287	R741		1	5142103090	RES. CARBON FILM	100KJB ±5% 1/6W
R337,R338			5142810590	RES. CARBON FILM	15JB ±5% 1/6W	R742		1	5142822190	RES. CARBON FILM	270JB ±5% 1/4W
R339			5142810290	RES. CARBON FILM	1KJB ±5% 1/4W	R743		1	5142822290	RES. CARBON FILM	2K2JB ±5% 1/4W
R363			5142847590	RES. CARBON FILM	4M7JB ±5% 1/4W	R744-R747		4	5142827190	RES. CARBON FILM	270JB ±5% 1/4W
R365			5142810490	RES							

SYMBOL NO	I/D	QTY	PART NO.	DESCRIPTION	SPECIFICATION	SYMBOL NO	I/D	QTY	PART NO.	DESCRIPTION	SPECIFICATION
R832,R833		2	5142815390	RES. CARBON FILM	15KJ2 ±5% 1/4W	C179,C180		2	5231510291	CAP. CER.	1000PF2T ±20% 50V
R834		1	514215330	RES. CARBON FILM	15KJ2 ±5% 1/6W	C181,C182		2	5231822391	CAP. CER.	2200PF2T ±60-20X 50V
R835		1	5142156130	RES. CARBON FILM	560J2 ±5% 1/6W	C183,C184		2	5213647991	CAP. EL.	4.7uFMT ±20% 50V
R836		1	5142110390	RES. CARBON FILM	10KJ2 ±5% 1/6W	C551		1	5222222301	CAP. POLY.	22000PFK ±10X 50V
R837		1	5142815390	RES. CARBON FILM	15KJ2 ±5% 1/4W	C552		1	5213510212	CAP. EL.	1000uFM ±20X 35V
R838		1	5142156130	RES. CARBON FILM	560J2 ±5% 1/6W	C554		1	5213547112	CAP. EL.	470uFM ±20X 35V
R839		1	5142110390	RES. CARBON FILM	10KJ2 ±5% 1/6W	C555		1	5213547091	CAP. EL.	47uFMT ±20X 50V
R840		1	5142115390	RES. CARBON FILM	15KJ2 ±5% 1/6W	C556		1	5231822391	CAP. CER.	2200PF2T ±60-20X 50V
R841		1	5142856190	RES. CARBON FILM	560J2 ±5% 1/4W	C557		1	5213447091	CAP. EL.	47uFMT ±20X 25V
R842		1	5142110390	RES. CARBON FILM	10KJ2 ±5% 1/6W	C558		1	5213410012	CAP. EL.	10uFM ±20X 25V
R843		1	5142115390	RES. CARBON FILM	15KJ2 ±5% 1/6W	C559		1	5213310112	CAP. EL.	100uFM ±20X 16V
R844		1	5142156130	RES. CARBON FILM	560J2 ±5% 1/6W	C560		1	5213310191	CAP. EL.	100uFMT ±20X 16V
R845		1	5142110390	RES. CARBON FILM	10KJ2 ±5% 1/6W	C561		1	5213522312	CAP. EL.	220uFM ±20X 35V
R846		1	5142115390	RES. CARBON FILM	15KJ2 ±5% 1/6W	C564		1	5213722110	CAP. EL.	220uFM ±20X 63V
R847		1	5142156130	RES. CARBON FILM	560J2 ±5% 1/6W	C565		1	5213647091	CAP. EL.	47uFM ±20X 50V
R848		1	5142110390	RES. CARBON FILM	10KJ2 ±5% 1/6W	C566		1	5213601091	CAP. EL.	1uFMT ±20X 50V
R849		1	5142115390	RES. CARBON FILM	15KJ2 ±5% 1/6W	C567		1	5231822391	CAP. CER.	2200PF2T ±60-20X 50V
R850		1	5142110390	RES. CARBON FILM	10KJ2 ±5% 1/6W	C568		1	5222222301	CAP. POLY.	22000PFK ±10X 50V
R851		1	5142815390	RES. CARBON FILM	15KJ2 ±5% 1/4W	C572		1	5213322212	CAP. EL.	2200uFM ±20X 16V
R852		1	5142822190	RES. CARBON FILM	220J2 ±5% 1/4W	C573		1	5231822391	CAP. CER.	2200PF2T ±60-20X 50V
R855		1	5142810490	RES. CARBON FILM	100KJ2 ±5% 1/4W	C574		1	5213122191	CAP. EL.	220uFMT ±20X 6.3V
R856		1	5142147090	RES. CARBON FILM	47J2 ±5% 1/6W	C575		1	5222210401	CAP. POLY.	0.1uFPE ±10X 50V
R857-R859		3	5142810490	RES. CARBON FILM	100KJ2 ±5% 1/4W	C576		1	5213310112	CAP. EL.	10uFM ±20X 16V
R860		1	5142115390	RES. CARBON FILM	15KJ2 ±5% 1/6W	C577		1	5213610091	CAP. EL.	10uFMT ±20X 50V
S701		1	5054512840	SWITCH, TACT SPST ALPS	F=100CF H=4.3MM DC12V/50mA	C501		1	5213647991	CAP. EL.	4.7uFMT ±20X 50V
S701-S711		11	5054512840	SWITCH, TACT SPST ALPS	F=100CF H=4.3MM DC12V/50mA	C703		1	5213610191	CAP. EL.	1uFMT ±20X 50V
S801-S810		10	5054512840	SWITCH, TACT SPST ALPS	F=100CF H=4.3MM DC12V/50mA	C105		1	5213247091	CAP. EL.	47uFMT ±20X 10V
U801		1	5550000200	INTEGRATED REMOTE CONT. RECEIVER	BT-13877/HCL40A	C814,C815		2	5213322091	CAP. EL.	22uFMT ±20X 16V
				LED PCB BLOCK		C913		1	5231847391	CAP. CER.	4700uFMT ±20X 50V
				DIODE, LED YELLOW/ SWN	SR-9431D 245nm DIFFUSED	C932		1	5215001201	CAP. EL. (LOW LC)	4700uFM ±20X 6.3V
D113,D711		2	6618009400			C933		1	5242218091	CAP. CER.	18PFJT ±5X 50V
PART LIST			####	PARENT BLOCK		C934		1	5552402900	TRIMMER	CT251P1111 & T203R300FR
R760		1	5142110400	PARENT BLOCK	100EJ ±5% 1/6W	C935		1	5242247091	CAP. CER.	47PFJT ±5X 50V
			####	PARENT BLOCK		C936		1	5213247091	CAP. EL.	47uFMT ±20X 10V
				TUNER PCB ASS'Y		C937,C938		2	5231810391	CAP. CER.	10000PF2T ±60-20X 50V
				TUNER PCB BLOCK		C939		1	5231847391	CAP. CER.	47000PFMT ±20X 50V
SC10		2	5545306900	HEAT SINK (S)	NAD-T100	C940		1	5213647891	CAP. EL.	0.47uFMT ±20X 50V
SC10A		2	7033161156	SCREW BRD RUD TS PC	M3-0+08	C941		1	5213510112	CAP. EL.	100uFMT ±20X 35V
B100		1	5553131601	TUNER PCB	279158 NAD-1600	C942	A	1	5231822391	CAP. CER.	22000PF2T ±60-20X 50V
C100		1	5247058001	CAP. CER.	68PFJ ±5X 50V	C942	AI	1	5231822391	CAP. CER.	22000PF2T ±60-20X 50V
C102		1	5231810391	CAP. CER.	10000PF2T ±60-20X 50V	C942	B	1	5231822391	CAP. CER.	22000PF2T ±60-20X 50V
C103,C104		2	5231822391	CAP. CER.	22000PF2T ±60-20X 50V	C942	BI	1	5231822391	CAP. CER.	22000PF2T ±60-20X 50V
C105		1	5231847391	CAP. CER.	4700PFMT ±20X 50V	C942	C	1	5231822391	CAP. CER.	22000PF2T ±60-20X 50V
C106		1	5213310191	CAP. EL.	100uFMT ±20X 16V	C943		1	5236310202	CAP. CER. F=5mm	0.1uFZ ±80-20X 50V
C107		1	5231847391	CAP. CER.	4700PFMT ±20X 50V	C944		1	5213610191	CAP. EL.	1uFMT ±20X 50V
C108,C109		2	5231822391	CAP. CER.	22000PF2T ±60-20X 50V	C945		1	5213622391	CAP. EL.	2.2uFMT ±20X 50V
C110		1	5231510291	CAP. CER.	1000PFMT ±20X 50V	C946,C947		2	5213610191	CAP. EL.	1uFMT ±20X 50V
C111		1	5231810391	CAP. CER.	1000PFMT ±60-20X 50V	C948		1	5231810391	CAP. CER.	1000PF2T ±60-20X 50V
C112,C114		2	5231822391	CAP. CER.	22000PF2T ±60-20X 50V	C949		1	5231522291	CAP. CER.	2200PFMT ±20X 50V
C116		1	5231822391	CAP. CER.	22000PF2T ±60-20X 50V	C950,C951		2	5231810391	CAP. CER.	10000PF2T ±60-20X 50V
C119-C121		3	5231847391	CAP. CER.	4700PFMT ±20X 50V	C953		1	5231310391	CAP. CER.	10000PF2T ±60-20X 50V
C122		1	5231822391	CAP. CER.	22000PF2T ±60-20X 50V	C954		1	5231510291	CAP. CER.	1000PFMT ±20X 50V
C123		1	5213601012	CAP. EL.	1uFM ±20X 50V	D101,D102		2	6612004001	DIODE, DETECTOR/ TSB	1N50
C124		1	5213610091	CAP. EL.	0.1uFMT ±20X 50V	D103-D105		3	6613003030	DIODE, SWITCHING/ I/T	1N4148
C125		1	5231822391	CAP. CER.	22000PF2T ±60-20X 50V	D107,D108		2	6613003030	DIODE, SWITCHING/ I/T	1N4148
C126		1	5231847391	CAP. CER.	4700PFMT ±20X 50V	D109,D110		2	6614004000	DIODE, VARICAP/ STO	5V4321A
C127		1	5213310112	CAP. EL.	100uFM ±20X 16V	D112,D114		2	6613003030	DIODE, SWITCHING/ I/T	1N4148
C128		1	5231822391	CAP. CER.	22000PF2T ±60-20X 50V	D115,D116		1	6612004001	DIODE, DETECTOR/ TSB	1N50
C129		1	5213222191	CAP. EL.	220uFMT ±20X 10V	D118		1	6613003030	DIODE, SWITCHING/ I/T	1N4148
C130		1	5213622391	CAP. EL.	2.2uFMT ±20X 50V	D551-D554		4	6611007230	DIODE, RECTIFIER/ MOT	1N4002 100V 1.0A
C131		1	5247122191	CAP. CER.	220PF2T ±10X 50V	D555		1	6615013800		1N4002 100V 1.0A
C132		1	5213610091	CAP. EL.	10uFMT ±20X 50V	D556-D559		4	6611007230	DIODE, RECTIFIER/ MOT	1N4002 100V 1.0A
C133		1	5213622391	CAP. EL.	2.2uFMT ±20X 50V	D560		1	6613003030	DIODE, SWITCHING/ I/T	1N4148
C134,C135		2	5231822391	CAP. CER.	22000PF2T ±60-20X 50V	D561,D562		2	6611007230	DIODE, RECTIFIER/ MOT	1N4002 100V 1.0A
C136,C137		2	5552402900	TRIMMER	CT251P1111 & T203R300FR	D563		1	6613003030	DIODE, SWITCHING/ I/T	1N4148
C138		1	5242205001	CAP. CER.	5PFC ±0.25PF	D823-D826		4	6613003030	DIODE, SWITCHING/ I/T	1N4148
C139		1	5226142100	CAP. POLY.	4700PFJ ±5X 50V	D931-D934		4	6613003030	DIODE, SWITCHING/ I/T	1N4148
C140		1	5231847391	CAP. CER.	4700PFMT ±20X 50V	D937-D940		4	6613003030	DIODE, SWITCHING/ I/T	1N4148
C141		1	5231510291	CAP. CER.	1000PFMT ±20X 50V	F551	A	1	5554309810	FUSE, MEDIUM BLOW 5MT	5.2420 125V 1A
C142		1	5231822391	CAP. CER.	22000PF2T ±60-20X 50V	F551	AI	1	5554309810	FUSE, MEDIUM BLOW 5MT	5.2420 125V 1A
C143		1	5213647991	CAP. EL.	4.7uFMT ±20X 50V	F551	B	1	5554306800	FUSE, T51	5.2420 250V 1A
C144		1	5213647891	CAP. EL.	0.47uFMT ±20X 50V	F551	BI	1	5554306800	FUSE, T51	5.2420 250V 1A
C145		1	5231822391	CAP. CER.	22000PF2T ±60-20X 50V	F551	C1	1	5554306800	FUSE, T51	5.2420 250V 1A
C146		1	5213647991	CAP. EL.	4.7uFMT ±20X 50V	F552	A	1	5554309810	FUSE, MEDIUM BLOW 5MT	5.2420 125V 1A
C147		1	5231810391	CAP. CER.	10000PF2T ±60-20X 50V	F552	AI	1	5554309810	FUSE, MEDIUM BLOW 5MT	5.2420 125V 1A
C148		1	5213310112	CAP. EL.	100uFM ±20X 16V	F552	B	1	5554306800	FUSE, T51	5.2420 250V 1A
C149		1	5231510291	CAP. CER.	1000PFMT ±20X 50V	F552	C	1	5554306800	FUSE, T51	5.2420 250V 1A
C150		1	5231822391	CAP. CER.	22000PF2T ±60-20X 50V	F552	CI	1	5554306800	FUSE, T51	5.2420 250V 1A
C151		1	5242247091	CAP. CER.	47PFJT ±5X 50V	I102		1	5554306800	FN DEVIATOR IFT	0203-384-W008A
C152		1	5213610091	CAP. EL.	10uFMT ±20X 50V	I103		1	5555105200	AN IFT	2150-384-W142
C153		1	5231822391	CAP. CER.	22000PF2T ±60-20X 50V	I104		1	5555105200	AN IFT (2)	2150-384-W317
C154		1	5213610091	CAP. EL.	10uFMT ±20X 50V	J100,J101		2	6119210600	WIRE,TIN COATED SOFT COPPER	0.68 0.060M
C155		1	5222122391	CAP. POLY.	22000PFJT ±5X 50V	J103		1	6119210600	WIRE,TIN COATED SOFT COPPER	0.68 0.060M
C158		1	5231822391	CAP. CER.	22000PF2T ±60-20X 50V	J105-J112		8	6119210600	WIRE,TIN COATED SOFT COPPER	0.68 0.060M
C160		1	5236210401	CAP. SEMI.	0.1uFM ±20X 25V	J114-J121		8	6119210600	WIRE,TIN COATED SOFT COPPER	0.68 0.060M
C161		1	5247139191	CAP. CER.	390PF2T ±10X 50V	J123-J130		8	6119210600	WIRE,TIN COATED SOFT COPPER	0.68 0.060M
C162		1	5213610091	CAP. EL.							

SYMBOL NO	I/D	QTY	PART NO.	DESCRIPTION	SPECIFICATION	SYMBOL NO	I/D	QTY	PART NO.	DESCRIPTION	SPECIFICATION
P702		1	5554102004	4P MALL WAFER	IL-G-4P-S3T2-E	R182	C	1	5142112490	RES. CARBON FILM	120KJ8 15K 1/4W
P703, P704		2	5556201190	SQUARE PIN	1.L1L 1416	R182	CI	1	5142112490	RES. CARBON FILM	120KJ8 15K 1/4W
P931		1	5556102011	11P MALL WAFER	IL-G-11P-S3T2-E	R183, R184		1	5142812490	RES. CARBON FILM	120KJ6 15K 1/4W
P932		1	5556102010	10P MALL WAFER	IL-G-10P-S3T2-E	R185		1	5142147290	RES. CARBON FILM	4K7J8 15K 1/4W
P933		1	5556102004	4P MALL WAFER	IL-G-4P-S3T2-E	R186		1	5142847290	RES. CARBON FILM	4K7J8 15K 1/4W
P934		1	5556300220	3P PVC PARALLEL WIRE BLS	7/0.16 L=120mm AWC264	R189, R190		2	5142160290	RES. CARBON FILM	6R8J8 15K 1/4W
P935, P936		2	5556201190	SQUARE PIN	1.L1L 1416	R191, R192		2	5142815290	RES. CARBON FILM	1K5J8 15K 1/4W
Q101, Q102		2	6621012101	TR. NPN HF/ STO	2SC9038	R193		1	5142812390	RES. CARBON FILM	12KJ8 15K 1/4W
Q103		1	6621015332	TR. NPN HF/ TSB	2SC1815-Y TP22	R194		1	5142815201	RES. CARBON FILM	1K5JC 15K 1/4W
Q104, Q105		2	6644000300	IC LINEAR/ TSB	TA7606AP SP	R195		1	5142823290	RES. CARBON FILM	22KJ 15K 1/4W
Q106		1	6644006900	IC LINEAR/ STO	LA1235 PM IP AMP DIP16	R551, R552		1	5142810390	RES. CARBON FILM	100KJ8 15K 1/4W
Q108		1	6621015332	TR. NPN HF/ TSB	2SC1815-Y TP22	R553, R554		2	5142827290	RES. CARBON FILM	2K7J8 15K 1/4W
Q109		1	6644006700	IC LINEAR/ STO	LA1245 AM TUNER DIP20	R555		1	5142810190	RES. CARBON FILM	100KJ8 15K 1/4W
Q112		1	6644005800	IC LINEAR/ STO	LA3401 DIP22	R556		1	5142831390	RES. CARBON FILM	330J8 15K 1/4W
Q113		1	6621015332	TR. NPN HF/ TSB	2SC1815-Y TP22	R557		1	5142810390	RES. CARBON FILM	100KJ8 15K 1/4W
Q115		1	6623002050	TR. PNP HF/ TSB	2SA1015-Y TP22	R558		1	5142823290	RES. CARBON FILM	22KJ8 15K 1/4W
Q116-Q120		5	6621015332	TR. NPN HF/ TSB	2SC1815-Y TP22	R559		1	5142833290	RES. CARBON FILM	3K3J8 15K 1/4W
Q121		1	6623002050	TR. PNP HF/ TSB	2SA1015-Y TP22	R560		1	5142822290	RES. CARBON FILM	2E2J8 15K 1/4W
Q122		1	6625003730	TR. FET/ TSB	2SK136GR VDD5-40V TAPING	R561		1	5142847390	RES. CARBON FILM	47KJ8 15K 1/4W
Q551		1	6640007500	IC. VOLTAGE REGULATOR/ STO	L78M15 15V 0.5A 3P	R562		1	5142810190	RES. CARBON FILM	100J8 15K 1/4W
Q552		1	6621015332	TR. NPN HF/ TSB	2SC1815-Y TP22	R563		1	5142818290	RES. CARBON FILM	1K8J8 15K 1/4W
Q553		1	6623002300	TR. PNP HF/ TSB	2SA4562-TV	R564		1	5142823290	RES. CARBON FILM	22KJ8 15K 1/4W
Q554		1	6623002050	TR. PNP HF/ TSB	2SA1015-Y TP22	R565		1	5142810490	RES. CARBON FILM	100KJ8 15K 1/4W
Q555		1	6621001021	TR. NPN HF/ TSB	2SC1959-Y	R566		1	5142810590	RES. CARBON FILM	1M1J8 15K 1/4W
Q556		1	6621015332	TR. NPN HF/ TSB	2SC1815-Y TP22	R567, R568		2	5142810390	RES. CARBON FILM	100J8 15K 1/4W
Q557		1	6640007600	IC. VOLTAGE REGULATOR/ STO	L78M05 5V 0.5A 3P	R569		1	5142810490	RES. CARBON FILM	100KJ8 15K 1/4W
Q558		1	6621001021	TR. NPN HF/ TSB	2SC1959-Y	R570		1	5142810390	RES. CARBON FILM	100J8 15K 1/4W
Q559		1	6621015332	TR. NPN HF/ TSB	2SC1815-Y TP22	R571		1	5142147290	RES. CARBON FILM	4K7J8 15K 1/4W
Q560		1	6623002300	TR. PNP HF/ TSB	2SA4562-TV	R572		1	5142810290	RES. CARBON FILM	1KJ8 15K 1/4W
Q561		1	6621015332	TR. NPN HF/ TSB	2SC1815-Y TP22	R573		1	5142847390	RES. CARBON FILM	47KJ8 15K 1/4W
Q562		1	6623002300	TR. PNP HF/ TSB	2SA4562-TV	R701-R705		5	5145815206	RES. CARBON FILM	1K5J8 15K 1/4W
Q701		1	6644006700	IC LINEAR/ BOH	BA6104 5 S1P9	R706		1	5142847390	RES. CARBON FILM	47KJ8 15K 1/4W
Q702		1	6645004000	IC DIGITAL/ STO	LB-1450 18P	R707		1	5142847390	RES. CARBON FILM	100KJ8 15K 1/4W
Q703, Q931		2	6621015332	TR. NPN HF/ TSB	2SC1815-Y TP22	R708		1	5142868190	RES. CARBON FILM	680J8 15K 1/4W
Q932		1	6645017600	IC DIGITAL/ TSB	TC9147BP DIP42	R709		1	5142110490	RES. CARBON FILM	100KJ8 15K 1/4W
Q934		1	6645017700	IC DIGITAL/ TSB	70M104P S1P7	R710		1	5162310320	RES. VR. PCIDPBIOTAR (B)	10K RH105IC1010
Q935-Q937		3	6621015332	TR. NPN HF/ TSB	2SC1815-Y TP22	R712		1	5145856306	RES. CARBON FILM	56K2J2 15K 1/4W
Q938		1	6623002050	TR. PNP HF/ TSB	2SA1015-Y TP22	R713		1	5142818390	RES. CARBON FILM	1K8J8 15K 1/4W
Q939, Q940		2	6621015332	TR. NPN HF/ TSB	2SC1815-Y TP22	R853, R854		2	5142815309	RES. CARBON FILM	15KJ8 15K 1/4W
Q941	RA	1	6645019800	IC DIGITAL/ TSB	LC4001B DIP14	R921		1	5142810490	RES. CARBON FILM	100KJ8 15K 1/4W
Q941	RB	1	6645019801	IC DIGITAL/ TSB	LC4001B DIP14	R922		1	5142815390	RES. CARBON FILM	15KJ8 15K 1/4W
R101		1	5142133190	RES. CARBON FILM	330J8 15K 1/6W	R923		1	5142833390	RES. CARBON FILM	39KJ8 15K 1/4W
R102		1	5142856090	RES. CARBON FILM	56J8 15K 1/4W	R924		1	5142833390	RES. CARBON FILM	33KJ8 15K 1/4W
R103		1	5142822090	RES. CARBON FILM	22J8 15K 1/4W	R935-R942		8	5142847090	RES. CARBON FILM	47J8 15K 1/4W
R104		1	5142810290	RES. CARBON FILM	1KJ8 15K 1/4W	R944		1	5142847090	RES. CARBON FILM	47J8 15K 1/4W
R105		1	5142822290	RES. CARBON FILM	22KJ8 15K 1/4W	R945		1	5142810290	RES. CARBON FILM	1KJ8 15K 1/4W
R106		1	5142127190	RES. CARBON FILM	270J8 15K 1/6W	R946		1	5142810390	RES. CARBON FILM	100J8 15K 1/4W
R107		1	5142122590	RES. CARBON FILM	2.2M18 15K 1/6W	R946		1	5142810390	RES. CARBON FILM	100J8 15K 1/4W
R108		1	5142112490	RES. CARBON FILM	120KJ8 15K 1/6W	R946		1	5142810390	RES. CARBON FILM	100J8 15K 1/4W
R109		1	5142812490	RES. CARBON FILM	120KJ8 15K 1/4W	R946		1	5142810390	RES. CARBON FILM	100J8 15K 1/4W
R110		1	5142182390	RES. CARBON FILM	82KJ8 15K 1/6W	R946		1	5142810390	RES. CARBON FILM	100J8 15K 1/4W
R111		1	5142810390	RES. CARBON FILM	100J8 15K 1/4W	R946		1	5142810390	RES. CARBON FILM	100J8 15K 1/4W
R112		1	5142810490	RES. CARBON FILM	100KJ8 15K 1/4W	R947		1	5142815400	RES. CARBON FILM	150KJ8 15K 1/4W
R113, R114		2	5142827190	RES. CARBON FILM	270J8 15K 1/4W	R948		1	5145882206	RES. CARBON FILM	8E2J2U 15K 1/4W
R116		1	5142847090	RES. CARBON FILM	47J8 15K 1/4W	R949		1	5142810390	RES. CARBON FILM	100J8 15K 1/4W
R117		1	5142822090	RES. CARBON FILM	22J8 15K 1/4W	R950		1	5142810190	RES. CARBON FILM	100J8 15K 1/4W
R118		1	5142833190	RES. CARBON FILM	330J8 15K 1/4W	R951		1	5142833390	RES. CARBON FILM	39KJ8 15K 1/4W
R119		1	5142136190	RES. CARBON FILM	360J8 15K 1/6W	R952		1	5142810390	RES. CARBON FILM	100J8 15K 1/4W
R120		1	5142833190	RES. CARBON FILM	330J8 15K 1/4W	R953		1	5142827490	RES. CARBON FILM	270KJ8 15K 1/4W
R121		1	5142136190	RES. CARBON FILM	360J8 15K 1/6W	R954		1	5142810190	RES. CARBON FILM	100J8 15K 1/4W
R122		1	5142812490	RES. CARBON FILM	120KJ8 15K 1/4W	R955		1	5142110390	RES. CARBON FILM	100J8 15K 1/6W
R123, R124		2	5142847290	RES. CARBON FILM	47KJ8 15K 1/4W	R956		1	5142830390	RES. CARBON FILM	39KJ8 15K 1/4W
R125, R126		2	5142882190	RES. CARBON FILM	820J8 15K 1/4W	R957, R958		2	5142847390	RES. CARBON FILM	47KJ8 15K 1/4W
R127, R128		2	5142847290	RES. CARBON FILM	47KJ8 15K 1/4W	R959		1	5142815390	RES. CARBON FILM	15KJ8 15K 1/4W
R129		2	5142810390	RES. CARBON FILM	100J8 15K 1/4W	R960		1	5142847490	RES. CARBON FILM	470KJ8 15K 1/4W
R130		1	5142110390	RES. CARBON FILM	100J8 15K 1/6W	R961		1	5142810290	RES. CARBON FILM	1KJ8 15K 1/4W
R131, R132		1	5142810490	RES. CARBON FILM	100KJ8 15K 1/4W	R962		1	5142827390	RES. CARBON FILM	27KJ8 15K 1/4W
R134		1	5145822206	RES. CARBON FILM	2.2KJ8 15K 1/4W	R963-R966		4	5142822490	RES. CARBON FILM	220KJ8 15K 1/4W
R135		1	5142810490	RES. CARBON FILM	100KJ8 15K 1/4W	R967		1	5142147290	RES. CARBON FILM	4K7J8 15K 1/6W
R136, R137		1	5142810390	RES. CARBON FILM	100J8 15K 1/4W	R968		1	5142810490	RES. CARBON FILM	100KJ8 15K 1/4W
R138		1	5142836190	RES. CARBON FILM	360J8 15K 1/4W	R969		1	5142110490	RES. CARBON FILM	100KJ8 15K 1/6W
R140		1	5145869306	RES. CARBON FILM	68K2J2U 15K 1/4W	O101	A	1	5552102100	TUNER	PB407-A16
R141		1	5162412520	RES. VR.	47M RV10P473AR 1/4W	O101	AI	1	5552102100	TUNER	PB407-A16
R142		1	5142810290	RES. CARBON FILM	1KJ8 15K 1/4W	O101	B	1	5552102100	TUNER	PB407-A16
R143		1	5142856390	RES. CARBON FILM	56J8 15K 1/4W	O101	BI	1	5552102100	TUNER	PB407-A16
R144		1	5162310320	RES. VR. PCIDPBIOTAR (B)	10K RH105IC1010 1/8W	O101	C	1	5552102100	TUNER	PB407-A16
R145		1	5142812190	RES. CARBON FILM	120J8 15K 1/4W	O101	CI	1	5552102100	TUNER	PB407-G25/R16/2879
R146		1	5142827290	RES. CARBON FILM	2.7KJ8 15K 1/4W	Z921		1	6699001404	CRYSTAL UNIT	7.2MRC 16PP 2M
R147		1	5142812390	RES. CARBON FILM	12KJ8 15K 1/4W	Z101-Z103		3	5550103630	CHROMIUM FILTR	SFR10-TML-A
R148		1	5162310420	RES. VR. PCIDPBIOTAR (B)	100K RH105IC1010 1/8W	Z106		1	5550302050	PM FTZ FILTER	34H-056-1366
R149		1	5142810390	RES. CARBON FILM	100J8 15K 1/4W	Z107		1	5550103300	CHROMIUM FILTR	SPZ450G
R150		1	5142812390	RES. CARBON FILM	12KJ8 15K 1/4W	Z108		1	5550103400	CHROMIUM RESONATOR	8P0450C4W
R151		1	5145822106	RES. CARBON FILM	220J2U 15K 1/4W	Z109		1	5550103500	CHROMIUM RESONATOR	CS8458P11
R152		1	5145823306	RES. CARBON FILM	33K2J2U 15K 1/4W	Z111, Z1					

SYMBOL NO	I/D	QTY	PART NO.	DESCRIPTION	SPECIFICATION	SYMBOL NO	I/D	QTY	PART NO.	DESCRIPTION	SPECIFICATION
1P16	B	1	5535203600	WARRANTY CARD	NAD-3200/7200	6P07	1	5542225300	BEZEL	NAD-7100	
1P17	AI	1	5535447800	SAFETY INSTRUCTION	NAD-USA	6P08	1	5542225800	DOUBLE BEZEL	NAD-7100	
1P18	AI	1	5535410800	LABEL,SERIAL NO.	TV-1970 SYSTEM (47*9)	6P09	2	5542006100	WIREBLOW (S)	28*6.5MM	
1P24	A RV	1	5535203601	WARRANTY CARD (M)	NAD-7225PE-A	6P11	2	5542006110	WIREBLOW (L)	45*6.5MM	
1P25	A RV	1	5535203602	WARRANTY CARD (S)	NAD-7225PE-A	6B01	2	55457531700	WASHER-PVC	NAD-1600	
1P26	RV	1	5525449900	SHIPPING CARTON LABEL	NAD-SERIES	7B01	1	7101201202	LOCK WASHER	D21*012*1.2T	
1P30		1	5520685165	RFS BLOCK	46* 250* 53 SGO.018	7F13,7M01	4	5547504600	BASE,VPS		
1P31	CI	1	5535450200	GERMAN POST OFFICE	NAD-SERIES	7J40	1	6150112101	WIRE CABLE COAXIAL 300V	1.7C-2V 0.120M	BLK UL
1P33		2	9510685255	SHEET NAD-7100	2404 120 BS14.0	7J44	1	6130003544	WIRE,PVC YELLOW, 24AWG	7/0.20	0.460M
A101		1	5552200110	T PM ANT.	300 OHM L-1.8M	7J45	1	6130003566	WIRE,PVC BLUE, 24AWG	7/0.20	0.460M
A102		1	6195341709	WIRE,STRANDED 22#	17/0.16 2.000 M	7J46	1	6130003577	WIRE,PVC PURPLE 24AWG	7/0.20	0.360M
P000	RV	1	5552002000	REMOTE CONTROL TRANSMITTER	NAD-7100	7J47	1	6173202802	WIRE,TWIN SHIELD BRN 28#	7/0.12	0.340M
P001	RV	1	6910151403	BATTERY,DRY	1.5V UM-3	7J56	1	6130002801	WIRE,TWIN SHIELD BRN 28#	7/0.12	0.270M
P002	A	1	5552302800	ANT. ADAPTOR	2-04010401	7J57	1	6130003568	WIRE,PVC GRAY 24AWG	7/0.20	0.280M
P002	AI	1	5552302800	ANT. ADAPTOR	2-04010401	7J63	1	6173132804	WIRE,SHIELD TEL 28#	7/0.12	0.450M
P002	B	1	5552302900	ANT. ADAPTOR	S-U5011#12	7J63A	1	6707020140	INSULATION TUBING T=105 AWG15/600V	0.010M	BLK 1.4
P002	BI	1	5552302900	ANT. ADAPTOR	S-U5011#12	7J64	1	6173132803	WIRE,SHIELD ORN 28# SRPVC	7/0.12	0.450M
P002	C	1	5552302900	ANT. ADAPTOR	S-U5011#12	7J64A	1	6707020140	INSULATION TUBING T=105 AWG15/600V	0.010M	BLK 1.4
P002	CI	1	5552302900	ANT. ADAPTOR	S-U5011#12	7J65	1	6173132808	WIRE,SHIELD GRN 28# SRPVC	7/0.12	0.450M
P004	A	1	5556400700	ANT. CONNECTOR	SH-756	7J65A	1	6707020140	INSULATION TUBING T=105 AWG15/600V	0.010M	BLK 1.4
P004	BI	1	5556400700	ANT. CONNECTOR	SH-756	7J66	1	6173132805	WIRE,SHIELD BLK 28# SRPVC	7/0.12	0.450M
P004	C	1	5556400700	ANT. CONNECTOR	SH-756	7J66A	1	6707020140	INSULATION TUBING T=105 AWG15/600V	0.010M	BLK 1.4
P004	CI	1	5556400700	ANT. CONNECTOR	SH-756	7J60	A	5556702121	POWER CORD W/PLUG SPT-2	UL BLK, AWG18# 11/0.16*2C*2.1M	
Y500		1	5535122520	OWNERS MANUAL	NAD-1600	7J60	AI	5556702121	POWER CORD W/PLUG SPT-2	UL BLK, AWG18# 11/0.16*2C*2.1M	
Y501		1	5535122527	OWNERS MANUAL	NAD-1600	7J60	B	5556701310	POWER CORD BLK CTSB-2F	0.07MMX2, 24/0.20*2C*1.8M	
Y502	A	1	5535122528	OWNERS MANUAL	NAD-1600	7J60	BI	5556702011	AC POWER CORD W/PLUG BLK	SAE 42/0.15*2C*1.8M	
Y502	C	1	5535122528	OWNERS MANUAL	NAD-1600	7J60	C	5556700131	AC POWER CORD W/PLUG BLK	VED PL-21 42/.15*2C*1.8M	
Y503		1	5535122529	OWNERS MANUAL	NAD-1600	7J60	CI	5556700131	AC POWER CORD W/PLUG BLK	VED PL-21 42/.15*2C*1.8M	
Y503	CI	1	5535122529	OWNERS MANUAL	NAD-1600	7J51	1	6130003500	WIRE,PVC BLACK 24AWG	7/0.20	0.330M
Y504	C	1	5535122530	OWNERS MANUAL	NAD-1600	7J52	1	6130003522	WIRE,PVC RED 24AWG	7/0.20	0.330M
			6003080517	CHASSIS ASS'Y		7J53	1	6130003588	WIRE,PVC GRAY 24AWG	7/0.20	0.270M
1P32	B	1	5535450300	BS POWER CORD LABEL	NAD-SERIES	7J54	A	6176560602	WIRE,PVC RED 600V/5A T=105	7/0.25	0.350M
2B01		1	5535444893	SERIAL LABEL	NAD-1600	7J54	AI	6176560602	WIRE,PVC RED 600V/5A T=105	7/0.25	0.350M
2B02	AI	2	5535448400	LIGHTNING LABEL	UL	7J54	B	6140071922	WIRE,DOUBLE INSULATED RED	17/0.16	0.350M 22AWG
2C01		1	5535445000	INSPECTION LABEL	NAD-SERIES	7J54	BI	6140071922	WIRE,DOUBLE INSULATED RED	17/0.16	0.350M 22AWG
2S01		1	5535449600	RC LABEL	NAD-7225	7J54	C	6140071922	WIRE,DOUBLE INSULATED RED	17/0.16	0.350M 22AWG
3P01		1	5541537900	VOL. KNOB	NAD-7100	7J54	CI	6140071922	WIRE,DOUBLE INSULATED RED	17/0.16	0.350M 22AWG
3P02		1	5541538000	VOL. KNOB (S)	NAD-7100	7J55	A	6176560603	WIRE,PVC ORN 600V/5A T=105	7/0.25	0.340M
3P03		1	5541537800	TOGGLE CAP.	NAD-7100	7J55	B	6176560603	WIRE,PVC ORN 600V/5A T=105	7/0.25	0.340M
3P04		4	5541537700	PUSH BUTTON	NAD-7000	7J55	BI	6140071933	WIRE,DOUBLE INSULATED ORN	17/0.16	0.340M 22AWG
3P08	12	1	5541537300	BAND KNOB	NAD-7100	7J55	CI	6140071933	WIRE,DOUBLE INSULATED ORN	17/0.16	0.340M 22AWG
3P20		1	5541537600	PLAY BUTTON	NAD-7100	7J55	A	6140071933	WIRE,DOUBLE INSULATED ORN	17/0.16	0.340M 22AWG
3P21		1	5541537200	POWER KNOB	NAD-7100	7J55	BI	6140071933	WIRE,DOUBLE INSULATED ORN	17/0.16	0.340M 22AWG
3P22		1	5541537510	CONTROL KNOB	NAD-7100	7J56	A	6176560602	WIRE,PVC RED 600V/5A T=105	7/0.25	0.130M
3P26		4	5541537100	PUSH KNOB (S)	NAD-7100	7J56	AI	6176560602	WIRE,PVC RED 600V/5A T=105	7/0.25	0.130M
3P34		4	5541537110	PUSH KNOB (S)	NAD-7100	7J57	A	6176560600	WIRE,PVC BLK 600V/5A T=105	7/0.25	0.080M
5B01	A	1	5547136100	BACK PLATE (120V)	NAD-1600	7J57	AI	6176560600	WIRE,PVC BLK 600V/5A T=105	7/0.25	0.080M
5B01	AI	1	5547136100	BACK PLATE (120V)	NAD-1600	7J58	A	6176560603	WIRE,PVC ORN 600V/5A T=105	7/0.25	0.140M
5B01	B	1	5547136120	BACK PLATE (240V)	NAD-1600	7J58	AI	6176560603	WIRE,PVC ORN 600V/5A T=105	7/0.25	0.140M
5B01	BI	1	5547136120	BACK PLATE (240V)	NAD-1600	7J58	B	6140071933	WIRE,DOUBLE INSULATED ORN	17/0.16	0.140M 22AWG
5B01	C	1	5547136110	BACK PLATE (220V)	NAD-1600	7J58	BI	6140071933	WIRE,DOUBLE INSULATED ORN	17/0.16	0.140M 22AWG
5B01	CI	1	5547136110	BACK PLATE (220V)	NAD-1600	7J58	C	6140071933	WIRE,DOUBLE INSULATED ORN	17/0.16	0.140M 22AWG
5B01M		20	7033161156	SCREW BRN B3.0*0.8 S-PC	C RID 3008 TS PC	7J58	CI	6140071933	WIRE,DOUBLE INSULATED ORN	17/0.16	0.140M 22AWG
5B01P		2	7001120216	SCREW,	C PAN M2.5*4 HS PC	7J59	A	6176560600	WIRE,PVC BLK 600V/5A T=105	7/0.25	0.140M
5B02		1	5547033900	LUG	NAD-7100	7J59	AI	6176560600	WIRE,PVC BLK 600V/5A T=105	7/0.25	0.140M
5B05		1	5546121400	TERMINAL	NAD-310/710	7J59	BI	6140071900	WIRE,DOUBLE INSULATED BLK	17/0.16	0.140M 22AWG
5B050		1	7076210012	NUT ISO M3.5(2.9B) S-ZN-CC	M3.5 S-ZN-CC	7J59	CI	6140071900	WIRE,DOUBLE INSULATED BLK	17/0.16	0.140M 22AWG
5B05M		1	7101200352	WASHER TOOTH LOCK-EXT M3.5	M3.5 0.40.5	7J59	A	6140071900	WIRE,DOUBLE INSULATED BLK	17/0.16	0.140M 22AWG
5B05M		1	7096210006	WASHER HW3.5 S-PC	M3.5 0.40.5	7J59	BI	6140071900	WIRE,DOUBLE INSULATED BLK	17/0.16	0.140M 22AWG
5C05		2	5547136200	PLATE-MIDDLE	NAD-1600	7J60	CI	6130003522	WIRE,PVC RED 24AWG	7/0.2	0.280M 24AWG
5C05M		2	7000305012	SCREW BTBV	M3.0*0.8	7J61	1	6130003577	WIRE,PVC PURPLE 24AWG	7/0.2	0.330M 24AWG
5C05M		2	7033160652	SCREW BRN	M3.0*0.6	7J62-7533	9	5540100701	BINDER		
5C07		1	5547035800	HOLDER	NAD-7100	7J61	A	6707020450	INSULATION TUBING T=105 AWG5/600V	0.110M	BLK 4.6
5F01		6	5541002310	TOP COVER	NAD-110 (SPCC 1.0T)	7J61	AI	6707020450	INSULATION TUBING T=105 AWG5/600V	0.110M	BLK 4.6
5F01M		1	7190550003	SCREW ISO PPW ZN-PC (BLK)	M4.0*0.6 (10*3.6*1.0T)	7J62	A	6113210600	WIRE,TIN COATED SOFT COPPER 0.6MM	0.050M	
5F02		6	5547131500	FRONT BRACKET	NAD-7100	7J62	AI	6113210600	WIRE,TIN COATED SOFT COPPER 0.6MM	0.050M	
5F02M		1	7001170616	FRONT ISO PP	M3.0*0.6 HS PC	7J64-7J64	3	5540100701	BINDER		
5F03		5	5547132000	FRONT BRACKET	NAD-7100	L100	CI	6652001000	SPRING COIL	0.7*3*10TS	
5F03M		2	7033160652	SCREW BRN	M3.0*0.6	P101	A	5556205310	75 ORN ANT TERMINAL	12-1032	
5F03M		1	7033161156	SCREW BRN	M3.0*0.8 TS-PC	P101	AI	5556205310	75 ORN ANT TERMINAL	12-1032	
5F04		6	5547131700	PLATE (R)	NAD-7100	P101	B	5556205300	75 ORN ANT TERMINAL	12-1032	
5F04M		1	7033160652	SCREW BRN	M3.0*0.6	P101	BI	5556205300	75 ORN ANT TERMINAL	12-1030	
5F05	A	1	5547131830	LEFT PLATE	NAD-1600	P101	C	5556205300	75 ORN ANT TERMINAL	12-1030	
5F05	AI	1	5547131820	LEFT PLATE	NAD-1600	P101	CI	5556205300	75 ORN ANT TERMINAL	12-1030	
5F05	BI	1	5547131820	LEFT PLATE	NAD-1600	P116	1	5556518700	RING TERMINAL CONNECTOR	L-45MM	
5F05	C	1	5547131820	LEFT PLATE	NAD-1600	P201A	1	5556519300	6P HOUSING ASS'Y L=300	NAD-7000	300mm
5F05	CI	1	5547131820	LEFT PLATE	NAD-1600	P212A	1	5556509250	3P PVC PARALLEL WIRE BLK	7/0.16	220mm 26AWG
5F05M		4	7033160652	SCREW BRN	M3.0*0.6	P311	1	5556519600	14P HOUSING ASS'Y	NAD-7000	
5F05M	A	1	7033160652	SCREW BRN	M3.0*0.6	P400A	1	5556514102	5P HOUSING ASS'Y (L=250)	7/0.16	250mm 26AWG#
5F05M	AI	1	7033160652	SCREW BRN	M3.0*0.6	P501	A	5556308320	AC OUTLET (POLARIZED)	S-16519-02#01/HJC-030A	
5F05M	BI	1	7033160652	SCREW BRN	M3.0*0.6	P501	AI	5556308320	AC OUTLET (POLARIZED)	S-16519-02#01/HJC-030A	
5F05M	CI	1	7000305012	SCREW BTBV	M3.0*0.8	P501	B	5556311400	AC SOCKET	S-16536#01	
5F06		1	5547033800	BRACKET PLATE (R)	NAD-7100	P501	BI	5556312100	AC RECEPTACLE	S2-739T-100	
5F06M		4	7033160652	SCREW BRN	M3.0*0.6	P501	C	5556311400	AC SOCKET	S-16536#01	
5F07	13	5546322300	PLAT SPRING	NAD-7100	P501	CI	5556311400	AC SOCKET	S-16536#01		
5F20		5	5546322900	PUSH SPRING	NAD-7100						

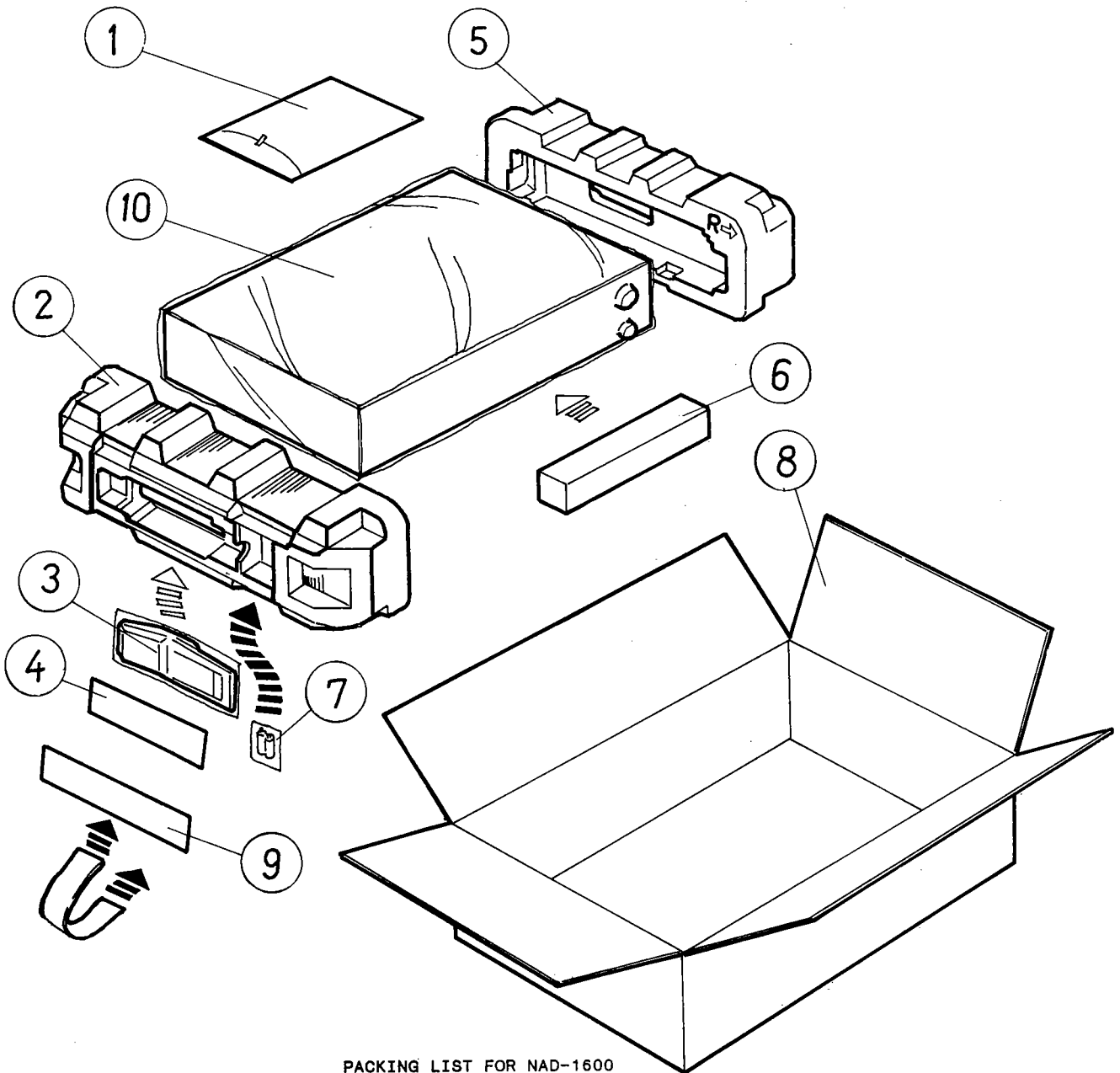
NAD-1600
EXPLODED VIEW



NAD-1600 PARTS LIST

NO.	PARTS NAME	PARTS NO.
1	HEMELON(L)	5542006110
2	KNOB, VOLUME	5541537900
3	KNOB, BALANCE	5541538000
4	KNOB, BAND	5541537300
5	CAP, TOGGLE	5531537800
6	HEMELON(S)	5542006100
7	KNOB, CONTROL	5541537510
8	BUTTON, PUSH	5541537700
9	BEZEL, SCAN	5542225800
10	KNOB, SCAN	5541537600
11	BEZEL, FUNCTION	5542225300
12	BEZEL, COPY	5542225200
13	BEZEL, LOUDNESS	5542225000
14	KNOB, PUSH(R)	5541537110
15	KNOB, PUSH(L)	5541537100
16	BEZEL, SPEAKER	5542225100
17	SPRING, PUSH	5546322900
18	KNOB, POWER	5541537200
19	PANEL, FRONT	5541213120
20	BEZEL, POWER	5542225400
21	PLATE, LEFT	5547131620
22	BRACKET, FRONT(B)	5547132000
23	BRACKET, FRONT(A)	5547131500
24	PLATE, MIDDLE	5547136200
25	PLATE, BACK(120)	5547136100
	PLATE, BACK(220)	5547136110
	PLATE, BACK(240)	5547136120
26	COVER, TOP	5541002310
27	CORD, POWER	5547501200
28	SUPPORT, PCB	5547530400
29	HEAT SINK	5545306900
30	HEAT SINK(S)	5545306910
31	TERMINAL	5546121400
32	WASHER, TOOTH	7101200352
33	WASHER, LOCK	7101201202
34	PLATE, RIGHT	5547131700
35	CHASSIS	5547131810
36	FOOT, RUBBER	5547802120
37	HINGE	5419700101
38	PLATE, AUX	5547035800
39	BRACKET PLATE, RIGHT	5547033800
40	WINDOW, RECEIVE	5542909410
42	SPRING, PLAY(A)	5546323000

PACKING DIAGRAM



PACKING LIST FOR NAD-1600

ITEM	PARTS NO.	NAME	QTY
1	9510685155	OWNERS MANUAL	1
2	9520680155	POLYLON L.	1
3	5552000200	REMOTE CONTROL TRANSMITTER	1
4	-----	R/C TRANSMITTER MANUAL	1
5	9520680255	POLYLON R.	1
6	9520685155	POLYLON BAR	1
7	6910151403	DRY BATTERY	2
8	9510680555	CARTON	1
9	9510685155	PAPER PLATE	1
10	9530680155	EPE BAG	1

NAD Electronics Ltd.
Model: 1600
Service Information
Issue 1
Date: 1 November 1990

Contact: ~~Electronics Field Engineering Centre~~
~~de Baan 6~~
~~5005 EP Hooge Mierde~~
~~Netherlands~~
~~Tel: (01) 4259 2500 Fax: (01) 4259 1500~~

Notes:

Proprietary information for servicing purposes only. The information given herein may not be used commercially without the prior written agreement of NAD Electronics LTD, Adastra House, 401-405 Netherstreet, London, N2 1QG, England

SERVICE MANUAL

1600
PREAMPLIFIER/TUNER

NAD ELECTRONICS
LONDON

